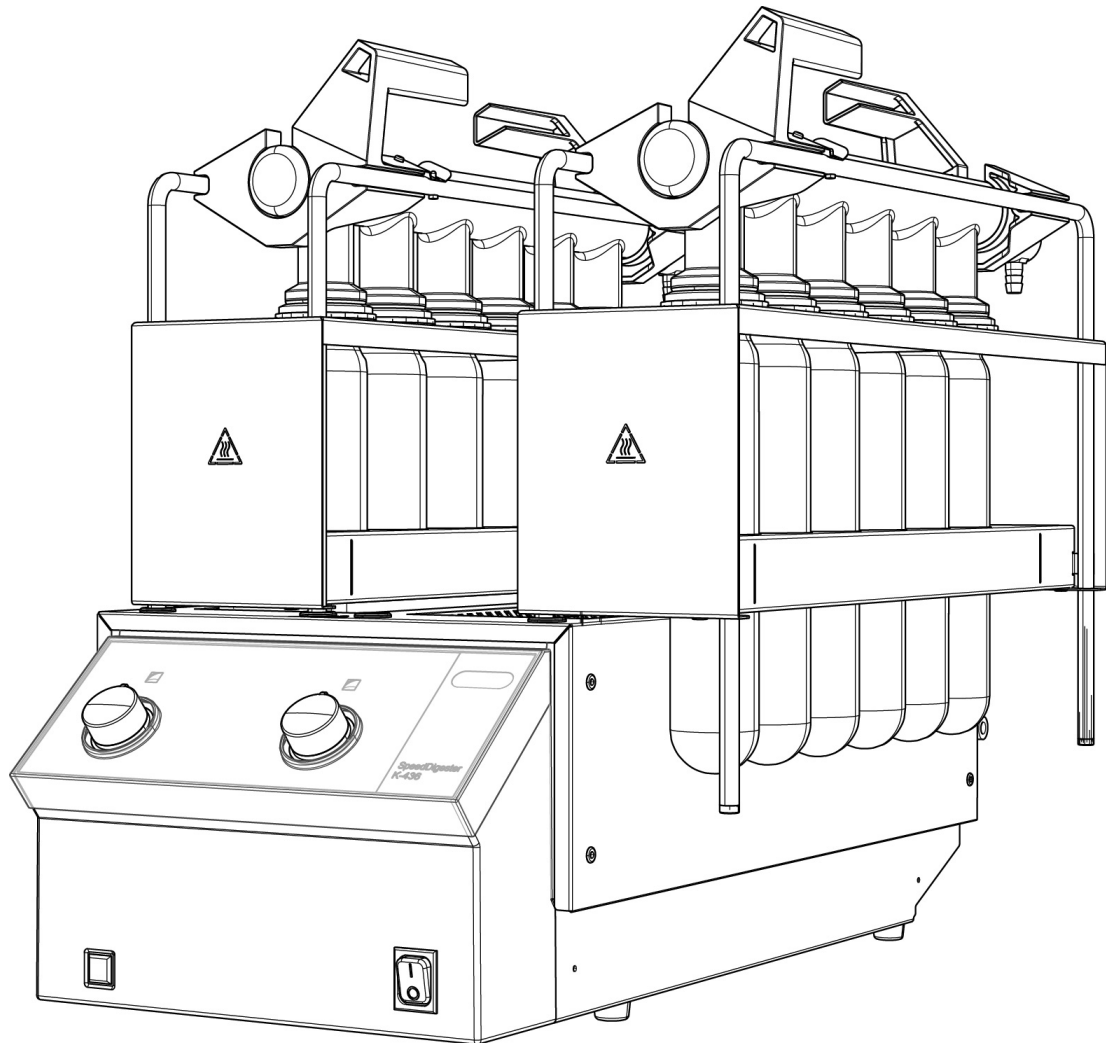




K-425 / K-436 SpeedDigester

Operation Manual



Imprint

Product Identification:
Operation Manual (Original), SpeedDigester K-425 / K-436

11593346B en

Publication date: 04.2016

BÜCHI Labortechnik AG
Meierseggstrasse 40
Postfach
CH-9230 Flawil 1

E-Mail: quality@buchi.com

BUCHI reserves the right to make changes to the manual as deemed necessary in the light of experience; especially in respect to structure, illustrations and technical detail.

This manual is copyright. Information from it may not be reproduced, distributed, or used for competitive purposes, nor made available to third parties. The manufacture of any component with the aid of this manual without prior written agreement is also prohibited.

Table of contents

1	About this manual	5
2	Safety.	6
2.1	User qualification	6
2.2	Proper use	6
2.3	Improper use	6
2.4	Safety warnings and safety signs used in this manual	7
2.5	Product safety.	9
2.5.1	General hazards.	9
2.5.2	Warning labels on housing and assemblies	10
2.5.3	Personal protective equipment	11
2.5.4	Built-in safety elements and measures	11
2.6	General safety rules	12
3	Technical data	13
3.1	Scope of application and delivery	13
3.1.1	Available system configurations	13
3.1.2	Accessories for 300 ml sample tubes (for standard applications)	14
3.1.3	Accessories for 500 ml sample tubes (for large sample volumes / at low nitrogen level)	15
3.1.4	Accessories for 3rd party production, 250 ml sample tubes	15
3.2	Technical data.	16
3.2.1	SpeedDigester K-425 / 110–120V version	16
3.2.2	SpeedDigester K-425 / 220–240V version	17
3.2.3	SpeedDigester K-436 / 220–240V version	18
3.3	Materials used.	19
4	Description of function	20
4.1	Functional principle	20
5	Putting into operation.	21
5.1	Installation site.	21
5.2	System fixation	22
5.3	Electrical connections	23
6	Operation	24
6.1	Operating controls and housing	24
6.1.1	SpeedDigester K-425 — front side	24
6.1.2	SpeedDigester K-425 — rear side.	25
6.1.3	SpeedDigester K-436 — front side	26
6.1.4	SpeedDigester K-436 — rear side.	27
6.2	Preparing of SpeedDigester, suction module(s) and sample tubes.	27
6.2.1	Kjeldahl digestion —preparing sample tubes.	28
6.2.2	Peroxide digestion —preparing sample tubes	29
6.2.3	Installing a suction module and sample tubes (300 ml).	29
6.2.4	Installing 500 ml sample tubes.	32
6.2.5	Starting up the SpeedDigester	34
6.3	Performing a Kjeldahl digestion process.	34
6.3.1	Preparational steps	34

6.3.2	Starting a digestion process	34
6.4	Performing a peroxide digestion process	35
6.4.1	Preparational steps	35
6.4.2	Starting a digestion process	35
6.5	Finishing a digestion process	37
6.6	Optional 'Stand with drip tray'	40
7	Maintenance and repairs	41
7.1	Customer service	42
7.2	General condition and cleaning instructions	42
7.2.1	Breakage of glassware inside a housing chamber	43
7.2.2	Liquid ingress into the instrument	43
7.3	Glass component conditions	44
7.3.1	Sample tubes	44
7.4	Sealing system	44
7.5	Rack system	45
7.5.1	300ml sample tube support spring	45
7.5.2	500ml sample tube support spring	46
7.6	Protection cover at the front	46
8	Troubleshooting	47
8.1	Malfunctions and their remedy	47
8.2	Device fuses	48
9	Shutdown, storage, transport and disposal	49
9.1	Storage and transport	49
9.2	Disposal	50
9.2.1	Thermostat(s)	50
10	Spare parts	52
10.1	Spare parts, optional accessories and consumables	52
11	Declarations and requirements	55
11.1	FCC requirements (for USA and Canada)	55

1 About this manual

This manual describes the SpeedDigester K-425/K-436 and provides all information required for its safe operation and to maintain it in good working order.

It is addressed to laboratory personnel and operators in particular.

Read this manual carefully before installing and running your system and note the safety precautions in chapter 2 in particular. Store the manual in the immediate vicinity of the instrument, so that it can be consulted at any time.

No technical modifications may be made to the instrument without the prior written agreement of Buchi. Unauthorized modifications may affect the system safety or result in accidents. Technical data are subject to change without notice.

Note

The symbols pertaining to safety (WARNINGS and ATTENTIONS) are explained in chapter 2.

This manual is copyright. Information from it may not be reproduced, distributed or used for competitive purposes, nor made available to third parties. The manufacture of any component with the aid of this manual without prior written agreement is also prohibited.

The English manual is the original language version and serves as basis for all translations into other languages. If you need another language version of this manual, you can download available versions at www.buchi.com.

2 Safety

This chapter introduces the safety concept of the instrument and contains general rules of behavior and warnings from direct and indirect hazards concerning the use of the product.

For the users safety, all safety instructions and safety messages in the individual chapters shall be strictly observed and followed. Therefore, the manual must always be available to all persons performing any tasks described herein.

2.1 User qualification

The instrument may only be used by laboratory personnel and other persons who on account of training and professional experience know the potential dangers that can develop when operating the instrument.

Untrained personnel, or persons who are currently being trained, require careful supervision by a qualified person. This Operation Manual serves as a basis for training.

2.2 Proper use

The SpeedDigester K-425/K-436 has been designed and built for laboratory use only. Its intended use is to allow digestion of samples with concentrated acids or peroxides by heating up the probe.

A suction unit (e.g. Scrubber or water jet pump) has to be connected to the suction module to safely withdraw fumes which will emerge during digestion. In any case, all exhausts and fumes leaving the system or assemblies such as Scrubber or water jet pump have to be removed instantly inside a fume hood. This is mandatory to remove all possibly hazardous substances (e.g. acid fumes) from the working area. The ventilation system of the fume hood has to be equipped with safety measures such as outlet filters to avoid contamination of the environment.

When the SpeedDigester K-425/K-436 is used in combination with other instruments (e.g. Scrubber and fume hood) all related manuals are to be fully observed.

2.3 Improper use

Applications not mentioned in section 2.2 are considered to be improper. Applications which do not comply with the technical data (see section 3 of this manual) are also considered to be improper.

The operator bears the sole risk for any damages or hazards caused by improper use!




The following uses are expressly forbidden:

- Digestion operations outside an active fume hood.
- Digestion of samples (e.g. food and feed) in nitrosulfuric acids which can produce explosive nitro compounds.
- Digestion of sample material of unknown composition in nitrosulfuric acids.
- Use of samples which can explode or ignite due to shocks, friction, heat or sparks.
- Installation or use of the instrument in rooms, which require ex-protected instruments.
- Use of glassware which is not specified in section 2.5.4.

2.4 Safety warnings and safety signs used in this manual

DANGER, WARNING, CAUTION and NOTICE are standardized signal words for identifying levels of hazard seriousness of risks related to personal injury and property damage. All signal words, which are related to personal injury are accompanied by the general safety sign.

For your safety it is important to read and fully understand the table below with the different signal words and their definitions!

Sign	Signal word	Definition	Risk level
	DANGER	Indicates a hazardous situation which, if not avoided, will result in death or serious injury.	★★★★
	WARNING	Indicates a hazardous situation which, if not avoided, could result in death or serious injury.	★★★☆☆
	CAUTION	Indicates a hazardous situation which, if not avoided, may result in minor or moderate injury.	★★☆☆☆
no	NOTICE	Indicates possible property damage, but no practices related to personal injury.	★☆☆☆☆ (property damage only)

Supplementary safety information symbols may be placed in a rectangular panel on the left to the signal word and the supplementary text (see below example).






Space for supplementary safety information symbols.	 SIGNAL WORD
	Supplementary text, describing the kind and level of hazard / risk seriousness. <ul style="list-style-type: none"> List of measures to avoid the herein described, hazard or hazardous situation.

Table of supplementary safety information symbols

The reference list below incorporates all safety information symbols used in this manual and their meaning.

Symbol	Meaning
	General warning
	Electrical hazard
	Heavy weight, avoid overexertion
	Explosive gases, explosive environment

Symbol	Meaning
	Explosive material
	Fire hazard
	Harmful to life-forms
	Hot item, hot surface
	Device damage
	Inhalation of substances
	Chemical burns by corrosives
	Fragile components
	Wear laboratory coat
	Wear protective goggles
	Wear protective gloves
	Heavy weight, lifting requires more than one person

Additional user information

Paragraphs starting with Note transport helpful information for working with the device/software or its supplementaries. Notes are not related to any kind of hazard or damage (see following example).

Note

Useful tips for the easy operation of the instrument/software.

2.5 Product safety



The SpeedDigester K-425 / K-436 has been designed and built in accordance with current state-of-the-art technology. Safety warnings in this manual (as described in section 2.4) serve to make the user alert to and avoid hazardous situations emanating from residual dangers by giving appropriate counter measures.





However, risks to users, property and the environment can arise when the instrument is damaged, used carelessly or improperly.

2.5.1 General hazards

The following safety messages show hazards of general kind which may occur when handling the instrument. The user shall observe all listed counter measures in order to achieve and maintain the lowest possible level of hazard.



Additional warning messages can be found whenever actions and situations described in this manual are related to situational hazards.

	<p>! DANGER</p> <p>Death or serious injuries by use in explosive environments.</p> <ul style="list-style-type: none"> • Do not store or operate the instrument in explosive environments • Do not store chemicals in the vicinity of the device • Operate the device in a fume hood with sufficient ventilation to directly withdraw fumes
	<p>! WARNING</p> <p>Death or serious burns by flammable vapors.</p> <ul style="list-style-type: none"> • Remove all sources of flammable vapors • Do not store flammable chemicals in the vicinity of the device

	<p>! WARNING</p> <p>Risk of death or serious chemical burns by hot acid or peroxide fumes.</p> <ul style="list-style-type: none"> • Do not operate the system with faulty parts • Check instrument setup for proper sealing before use • Do not inhale process fumes • Operate the instrument inside an active fume hood • Do not move the instrument or parts of it during digestion
	<p>! CAUTION</p> <p>Risk of minor or moderate cuts by sharp edges.</p> <ul style="list-style-type: none"> • Do not touch defective or broken glassware with bare hands • Do not touch thin metal edges
	<p>! CAUTION</p> <p>Risk of burns by hot machine parts and glassware.</p> <ul style="list-style-type: none"> • Do not touch hot parts or surfaces • Let the system and inserted glassware cool down safely • Do not move the instrument or parts of it when hot
	<p>NOTICE</p> <p>Risk of instrument damage by liquids or mechanical shocks.</p> <ul style="list-style-type: none"> • Do not spill liquids over the instrument or its components • Do not move the instrument when it is loaded with sample liquid • Do not drop the instrument or its components • Keep external vibrations away from the instrument • Safely attach the instrument to the bench in earthquake prone regions • Do not operate the instrument without the protection cover installed at the front






2.5.2 Warning labels on housing and assemblies

The following warning sticker(s) can be found on the housing or assemblies of the SpeedDigester:

Symbol	Meaning	Location
	Hot item, hot surface	Sticker / label, located on top of the housing and at the racks
	Do NOT put rack into side cooling position	Label on 500 ml racks

2.5.3 Personal protective equipment

Always wear personal protective equipment such as protective eye goggles, protective clothing and gloves. The personal protective equipment must meet all requirements of the supplementary data sheets for the chemicals used.

 WARNING
<div style="display: flex; flex-direction: column; align-items: center;">     </div> <p>Serious chemical burns by corrosives.</p> <ul style="list-style-type: none"> • Observe supplementary data sheets of all used chemicals. • Handle corrosives in well ventilated environments only. • Always wear protective goggles. • Always wear protective gloves. • Always wear protective clothes. • Do not use damaged glassware.

2.5.4 Built-in safety elements and measures

Buchi glassware design

- All original Buchi digestion glassparts are made of high temperature and chemical resistant borosilicate glass.
- Acid fumes generated during digestion accumulate in the suction module
- The fumes must be safely withdrawn from the suction module via one or more hoses to a Scrubber (e.g. Scrubber B-414) or via water jet pump into a sink or sufficient suction flow.

3rd party glassware

The quality of the material is an essential part of the safety concept of the SpeedDigester K-425/K-436. For the special rack (order no. 11055440), the following qualified vendors offer sample tubes of sufficient quality grade to withstand the temperatures and the aggressive chemical digestion agents:

Qualified vendor	Tested sample tube(s)
Gerhardt	250 ml / 6100
Velp	∅ 42×300 mm / A00000144
Foss	250 ml / 10014278

Heater

Each heating chamber is equipped with a safety overtemperature switch. In case of an emergency the switch cuts off the power of the corresponding chamber and the 'Heating indicator' light.

2.6 General safety rules

Responsibility of the operator

The head of the laboratory is responsible for training his/her personnel.

The operator shall inform the manufacturer without delay of any safety-related incidents which might occur during operation of the instrument or its accessories. Legal regulations, such as local, state and federal laws applying to the instrument or its accessories must be strictly followed.

Duty of maintenance and care

The operator is responsible for the proper condition of instrument. This includes maintenance, service and repair jobs that are performed and on schedule by authorized personnel only.

Spare parts to be used

Use only genuine consumables and spare parts for maintenance to assure good system performance, reliability and safety. Any modifications of spare parts or assemblies are only allowed with the prior written permission of the manufacturer.

Modifications

Modifications to the instrument are only permitted after prior consultation and with the written approval of the manufacturer. Modifications and upgrades shall only be carried out by an authorized Buchi technical engineer. The manufacturer will decline any claim resulting from unauthorized modifications.

3 Technical data

This chapter introduces the reader to the SpeedDigester K-425/K-436 and its specifications. It contains the scope of delivery, technical data, requirements and performance data.

3.1 Scope of application and delivery

All system configurations come with a limited set of accessories as a starter kit. Within a system family, additionally available accessories (see section 3.1.2 and the following) can be used to easily reconfigure your system to every configuration listed in section 3.1.1.

Parts that are required to change a system configuration:

- Rack
- Suction module
- Insulation plate (fireclay insert)
- Sample tubes

The scope of delivery depends on the ordered system configuration and can be checked according to the individual delivery note and the listed order numbers.

Note

For additional information about the listed products, see www.buchi.com or contact your local dealer.

3.1.1 Available system configurations

SpeedDigester K-425

Configuration order number		Sample positions		Sample tube sizes			Suction modules			
110–120V	220–240V	5	6	250 ml	300 ml	500 ml	Standard	Condensate trap	H ₂ O ₂	Module for 3rd party tubes
1154251500	1154252500	●				●		●		
1154251100	1154252100		●		●		●			
1154251200	1154252200		●		●			●		
1154251300	1154252300		●		●				●	
1154251400	1154252400		●	●*						●*

* Third party sample tubes require special accessories such as the BUCHI “Module for 3rd party tubes” and the matching rack/insulation plate. Tubes are not included in the set!

Note

The SpeedDigester K-425 is available in different versions for 110–120V or 220–240V mains supply. Check your local voltage requirements and order accordingly!

SpeedDigester K-436

Configuration order number		Sample positions		Sample tube sizes			Suction modules			
110–120V	220–240V	10	12	250 ml	300 ml	500 ml	Standard	Condensate trap	H ₂ O ₂	Module for 3rd party tubes
n.a.	1154362500	●				●		●		
n.a.	1154362100		●		●		●			
n.a.	1154362200		●		●			●		
n.a.	1154362300		●		●				●	
n.a.	1154362400		●	●*						●*

* Third party sample tubes require special accessories such as the BUCHI “Module for 3rd party tubes” and the matching rack/insulation plate. Tubes are not included in the set!

Note

The SpeedDigester K-436 is only available for 220–240 V mains supply. Check if a voltage converter is necessary to adapt your local mains level before connecting the instrument!

3.1.2 Accessories for 300 ml sample tubes (for standard applications)

Item	Additional info	Order number	Recommended quantity to order	
			K-425	K-436
Set of sample tubes	300 ml, 4 tubes	037377	2×	3×
Suction module standard	6 place	11055849	1×	2×
Suction module condensate trap	6 place	11055865	1×	2×
Suction module H ₂ O ₂	6 place, cpl.	11055853	1×	2×
Connectors to suction module	Adapter and plug	11055367	1×	2×
EPDM hose	Set for K-425	11056005	1×	—
EPDM hose set	Set for K-436	11056219	—	1×
Insulation plate (fireclay)	Insertion, for 300 ml tubes	11055142	1×	2×
Rack	6 place, for 300 ml tubes	11055248	1×	2×
Glass caps (set of 4)	OPTIONAL	040049	—	—
Insulation cap	OPTIONAL	11056024	—	—
Sealing FKM (set of 6)	Spare part	038122	—	—
Sealing PTFE (1 pcs)	OPTIONAL	022442	—	—
Rubber GUKOs for H ₂ O ₂ suc. mod.	Spare part set of 6	044495	—	—
Filter funnel for H ₂ O ₂ suc. mod.	Spare part set of 6	044494	—	—
Set circular spring and holder	Spare part set of 6	11055984	—	—
Bed-plate for 300ml racks	OPTIONAL	11055943	—	—

3.1.3 Accessories for 500 ml sample tubes (for large sample volumes / at low nitrogen level)

Standard items	Additional info	Order number	Recommended quantity to order	
			K-425	K-436
Sample tubes	500 ml, single tube	026128	5×	10×
Set of sample tubes	500 ml, 4 tubes	043982	2×	3×
Suction module condensate trap	5 place	11055851	1×	2×
Connectors to suction module	Adapter and plug	11055367	1×	2×
EPDM hose	Set for K-425	11056005	1×	—
EPDM hose set	Set for K-436	11056219	—	1×
Insulation plate (fireclay)	Insertion, for 500 ml tubes	11055143	1×	2×
Rack	5 place, for 500 ml tubes	11055327	1×	2×
Base for rack	For 500 ml tubes rack	11055612	1×	1×
Glass caps (set of 4)	OPTIONAL	040049	—	—
Insulation cap	OPTIONAL	11056024	—	—
Sealing FKM (set of 6)	Spare part	038122	—	—
Sealing PTFE (1 pcs)	OPTIONAL	022442	—	—
Interlock spring for 500 ml rack	Spare part	11055385	—	—

3.1.4 Accessories for 3rd party production, 250 ml sample tubes

Item	Additional info	Order number	Recommended quantity to order	
			K-425	K-436
3rd party sample tubes	250 ml	n.a.	6×	12×
Suction module for 3rd party tubes	6 place	11055850	1×	2×
Connectors to suction module	Adapter and plug	11055367	1×	2×
EPDM hose	Set for K-425	11056005	1×	—
EPDM hose set	Set for K-436	11056219	—	1×
Insulation plate (fireclay)	Insertion, for 250 ml tubes	11055877	1×	2×
Rack	6 place, for 250 ml tubes	11055440	1×	2×
Sealing FKM (set of 6)	Spare part	038125	—	—
Set circular spring and holder 6×	Spare part	11055985	—	—

Note

3rd party sample tubes are not available at Buchi. Please contact your local OEM vendor for these type of tubes.

3.2 Technical data

3.2.1 SpeedDigester K-425 / 110–120V version

Technical data	
Power consumption	max. 1280 W
Temperature control range	level 1 to 10 (70–580°C typically)
Connection voltage	110–120VAC
Input fuse	T 10A L 250V
Frequency	50/60Hz
IP degree of protection (two digits)	IP 20
	Explanation of protection level:
	2 Protection provided by the enclosure against access to hazardous parts (e.g., electrical conductors, moving parts) and the ingress of solid foreign objects with a diameter of > 12,5 mm.
	0 No protection of the equipment inside the enclosure against harmful ingress of water.
Insulation category	II
Environmental conditions:	
Pollution degree	2 (for indoor use only)
Temperature	5 – 40 °C
Altitude (above sea level)	up to 2000 m
Humidity (curve parameter)	Maximum relative humidity 80% up to 31 °C, then decreasing linearly to 50% relative humidity at 40 °C
Dimensions in mm (W × D × H)	310 × 620 × 540
Net weight	12 kg
Rack (without glassware)	2,5 kg

3.2.2 SpeedDigester K-425 / 220–240V version

Technical data	
Power consumption	max. 1280 W
Temperature control range	level 1 to 10 (70–580°C typically)
Connection voltage	220–240VAC
Input fuse	T 10A L 250V
Frequency	50/60 Hz
IP degree of protection (two digits)	IP 20
	Explanation of protection level:
	2 Protection provided by the enclosure against access to hazardous parts (e.g., electrical conductors, moving parts) and the ingress of solid foreign objects with a diameter of > 12,5 mm.
	0 No protection of the equipment inside the enclosure against harmful ingress of water.
Insulation category	II
Environmental conditions:	
Pollution degree	2 (for indoor use only)
Temperature	5 – 40 °C
Altitude (above sea level)	up to 2000 m
Humidity (curve parameter)	Maximum relative humidity 80% up to 31 °C, then decreasing linearly to 50% relative humidity at 40 °C
Dimensions in mm (W × D × H)	310 × 620 × 540
Net weight	12 kg
Rack (without glassware)	2,5 kg

3.2.3 SpeedDigester K-436 / 220–240V version

Technical data	
Power consumption	max. 2550 W
Temperature control range	level 1 to 10 (70–580°C typically)
Connection voltage	220–240VAC
Input fuse	T 10A L 250V
Frequency	50/60 Hz
IP degree of protection (two digits)	IP 20
	Explanation of protection level:
	2 Protection provided by the enclosure against access to hazardous parts (e.g., electrical conductors, moving parts) and the ingress of solid foreign objects with a diameter of > 12,5 mm.
	0 No protection of the equipment inside the enclosure against harmful ingress of water.
Insulation category	II
Environmental conditions:	
Pollution degree	2 (for indoor use only)
Temperature	5 – 40 °C
Altitude (above sea level)	up to 2000 m
Humidity (curve parameter)	Maximum relative humidity 80% up to 31 °C, then decreasing linearly to 50% relative humidity at 40 °C
Dimensions in mm (W × D × H)	310 × 620 × 540
Net weight	15,5 kg
Rack (without glassware)	2× 2,5 kg

3.3 Materials used

Materials used			
Component	Material designation	Material code	Hazards substances
Stainless steel	Housing		
	Heating chamber		
	Heating element		
	Rack		
	Front panel under thermostat(s)		
Silicic acid	Heating chamber	SiO ₂ , SiC	
Ceramic fiber felt	Heating chamber		
Calcium silicate	Insulation plate		
Phlogopite mica	Preheat cover		
Plastic	Front hood	PBT	
	Suction hoses	EPDM	
	Drip tray	PP	
	Rack	PPS	
	Sealings suction tube	FKM/PFE	
Borosilicate glass 3.3	Hose coupling	PP	
	Suction tube		
Aluminium	Digestion tubes		
	Front bottom		
Sodium	Heat sink front		
	Capillary temperature controller	Na	67/548/EWG: R : 29 S : 12-23-37-65-103
Potassium	Capillary temperature controller	K	67/548/EWG: R : 29 S : 12-23-37-65-103

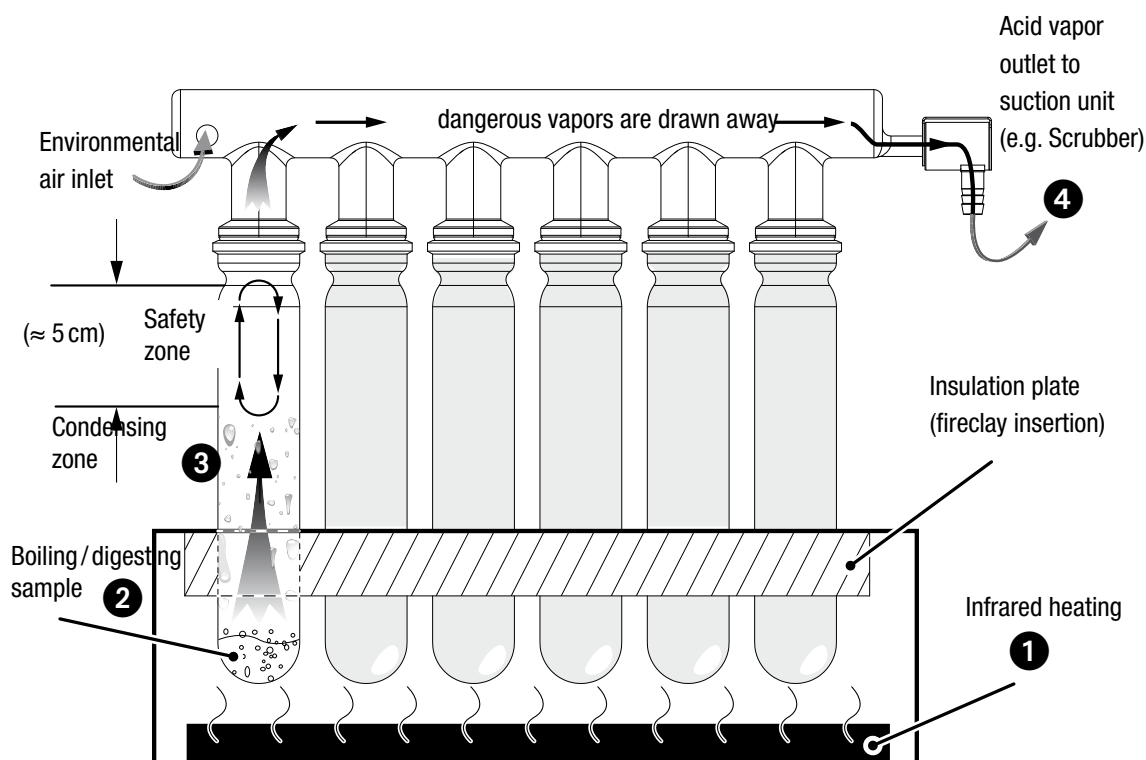
4 Description of function

This chapter explains the basic working principle of the SpeedDigester K-425/K-436. It also shows how the instrument is structured and provides a general functional description of its assemblies.

4.1 Functional principle

The SpeedDigester K-425 / K-436 is a special heating device to digest samples. It can generate max. temperatures of 580°C typically. This allows e.g. acid digestion of organic sample components in a concentrated sulfuric acid/catalyst mixture, known as 'Kjeldahl digestion'. During the processing the sample material can reach peak temperatures of up to 370°C at the bottom area of the sample tubes. The maximum temperature of the sample highly depends on its composition i.e. the ratio of catalyst to acid and can change during the digestion process.

Digestion process overview



Processing steps:

- The infrared heating ① generates high temperatures in the sample.
- Inside the sample tubes the digestion process takes place ② while the acid is constantly boiling.
- Hot acid fumes rise into the condensing zone ③. After reflux, the acid flows back down to the sample material, establishing a constant cycle.
- Residual fumes which escape the condensation zone are highly corrosive (!) and hazardous to life forms. It must be withdrawn by a suction unit that delivers sufficient flow (i.e. with a Scrubber B-414 or a water jet pump) ④.

Note

The condensation should not take place inside the safety zone in order to prevent digestion of the sealing rings. In case the condensation is too close to the suction module (e.g. due to very high temperature settings) the digestion fumes may escape and the sample can dry out!

5 Putting into operation

This chapter describes how the instrument has to be installed. It also gives instructions for the initial startup.

Note

Inspect the instrument for damage during unpacking. If necessary, prepare a status report immediately to inform the postal company, railway company or transportation company. Keep the original packaging for future transportation.

5.1 Installation site




Put the instrument into a fume hood onto a clean, stable and horizontal surface. Consider the maximum product dimensions and weight. Obtain the environmental conditions as described in section 3.2, technical data.



Installation prerequisites and installation steps:

- The fume hood must be equipped with a heat- and acid-resistant lining.
- Do not place any objects on top or below the instrument.
- The instrument must be installed with a safety clearance of not less than 5 cm to any other objects or walls to allow sufficient cooling.
- Do not place containers, chemicals or other items behind the instrument.
- When using a Scrubber B-414 it must be placed on the **left** side of the SpeedDigester.

Note


- *To cut the power in case of an emergency by unplugging, the instruments or any other items must not block the mains plug!*
- *Any **cooling of the SpeedDigester can disturb the digestion** process. When switched 'On', the Scrubber B-414 cooling fan emits from the left side of the housing. Hence the Scrubber B-414 should not be installed on the **right** side of the SpeedDigester.*

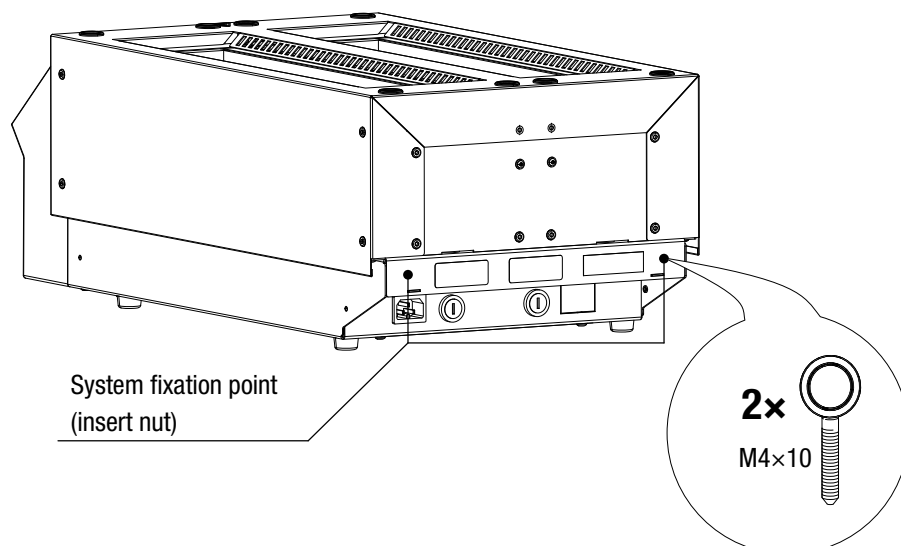
 	 DANGER
	<p>Death or serious injuries by use in explosive environments.</p> <ul style="list-style-type: none"> • Do not store or operate the instrument in explosive environments • Do not store chemicals in the vicinity of the device • Operate the device in a fume hood with sufficient ventilation to directly withdraw fumes

	<p>WARNING</p> <p>Risk of death or burns by electric current.</p> <ul style="list-style-type: none"> • Check for proper grounding before use • Exchange defective cabling instantly
	<p>CAUTION</p> <p>Risk of minor or moderate injury by heavy weight of the instrument.</p> <ul style="list-style-type: none"> • Lift the instrument carefully and avoid over exertion • Do not drop the instrument or its transport box • Place the instrument on a stable, even and vibration-free surface • Keep limbs out of crushing zone

5.2 System fixation


In earthquake prone regions the instrument must be fixed to the fume hood bench. The penetration depth of the stainless steel fixation screw must not be more than 10 mm.

	<p>Notice</p> <p>Risk of instrument damage by earthquakes</p> <ul style="list-style-type: none"> • Safely attach the instrument to the bench in earthquake prone regions • Use acid resistant stainless steel screws
---	---



5.3 Electrical connections

After the installation procedure has been completed successfully, the power plug of the SpeedDigester must be connected to the mains for the digestion process.

	<p style="text-align: center;">Notice</p> <p>Risk of instrument damage by wrong mains supply.</p> <ul style="list-style-type: none"> • External mains supply must meet the voltage given on the type plate • Check for proper grounding
---	--

The used mains circuit has to:

- provide the voltage that is given on the type plate of the instrument.
- be able to handle the load of the connected instruments.
- be equipped with adequate fusing and electrical safety measures, in particular proper earthing.

See also technical data of all components regarding the different minimum system requirements!

Note

Additional electrical safety measures such as residual current breakers may be necessary to meet local laws and regulations! External connections and extension lines must be provided with an earthed conductor lead (3-pole couplings, cord or plug equipment). All used power cords shall be equipped with moulded plugs only to avoid risks due to unobservant defective wiring.

6 Operation

This chapter gives examples of typical instrument applications and instructions on how to operate the instrument properly and safely. See also section 2.5 “Product safety” for general warnings.

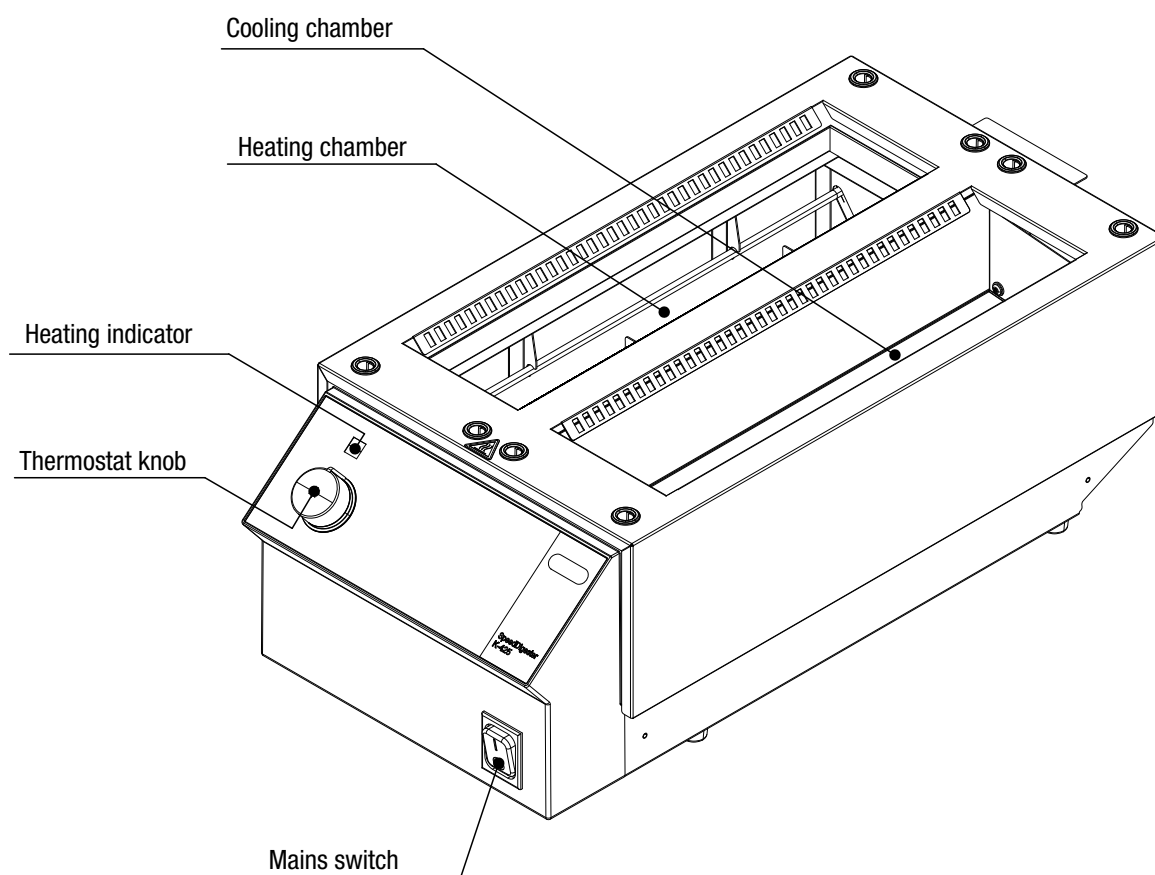
6.1 Operating controls and housing

The SpeedDigester K-425/K-436 are equipped with thermostats. The table below lists the correlated temperature (typical average values) to every heating level position of each thermostat.

Level	Set-point temperature in °C	Level	Set-point temperature °C
OFF	—		
1	70	6	350
2	130	7	410
3	180	8	470
4	240	9*	520
5	300	10*	580

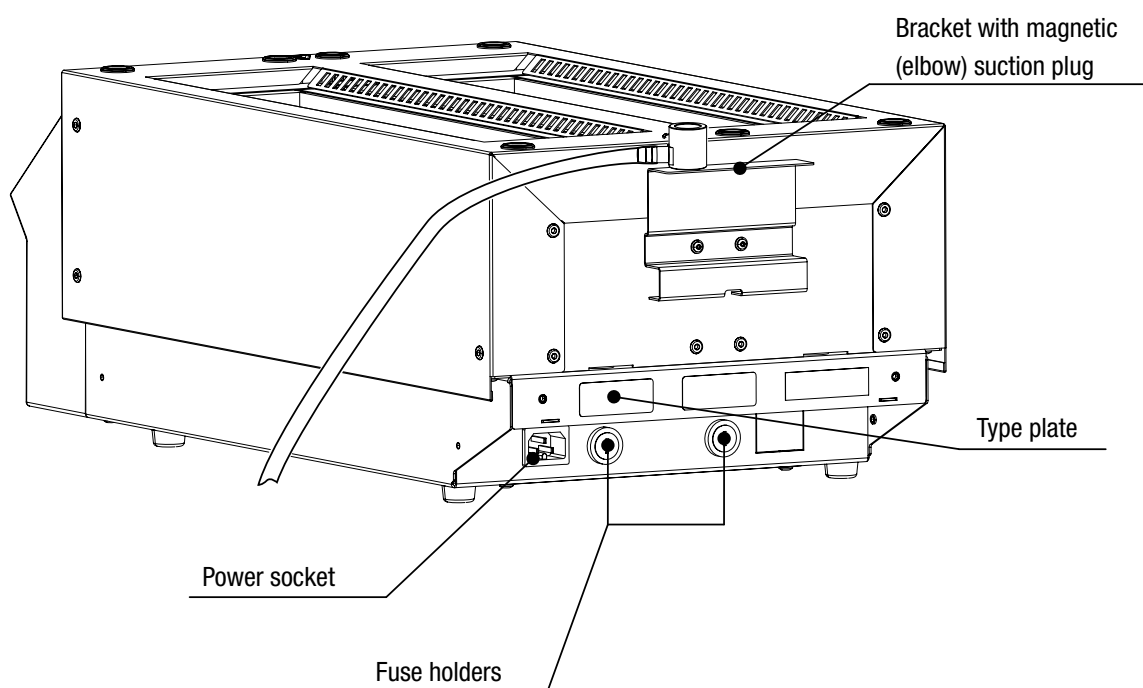
* Level 9 and 10 are highlighted red. On these high temperature levels the recondensation zone can be displaced inside the safety zone, close to the suction module. This can cause ineffective digestion and corrosion of sealings and glassware!

6.1.1 SpeedDigester K-425 – front side

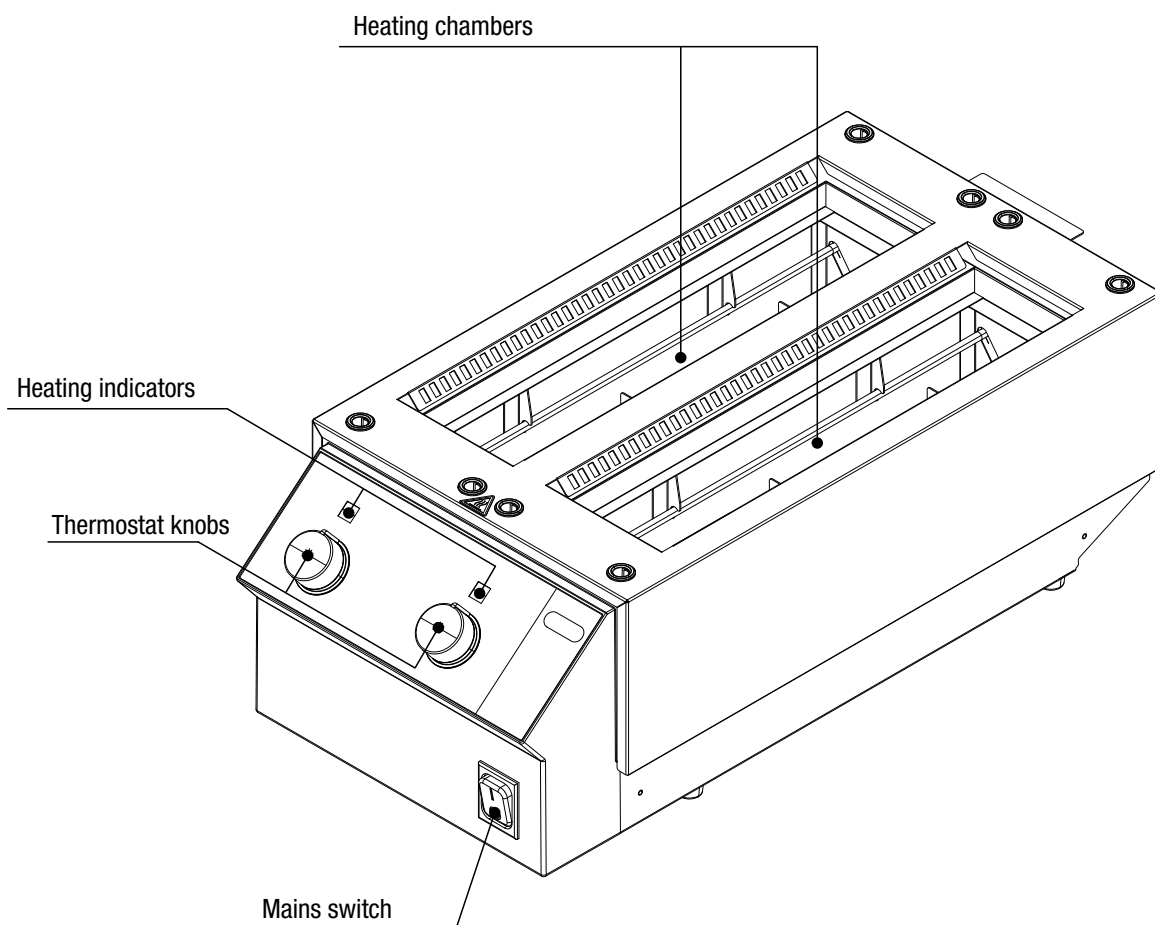


- The mains switch is illuminated green when the system is in on-status
- Thermostat
 - ↳ Turn the thermostat knob clockwise to increase the digestion temperature (heating level 1 – 10)
 - ↳ Turn the thermostat knob anticlockwise to decrease the digestion temperature or even deactivate the heating chamber ('OFF' position)
- The cooling chamber is not equipped with a heating element. It can be used to let a hot rack cool down passively or to store a rack intermediately
- The signal lamp 'Heating indicator' will light up every time heat is generated in the heating chamber

6.1.2 SpeedDigester K-425 – rear side

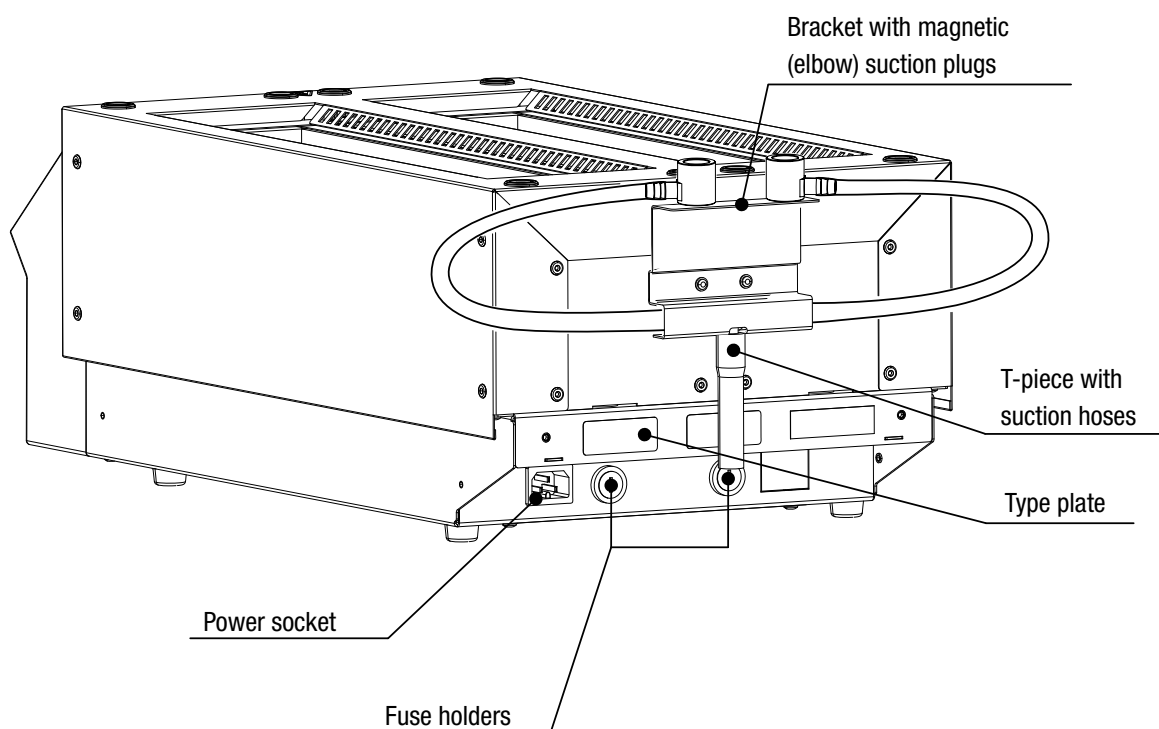


6.1.3 SpeedDigester K-436 – front side



- The mains switch is illuminated green when the system is switched on
- Thermostats
 - ↳ Turn the thermostat knob(s) clockwise to increase the digestion temperature (heating level 1–10)
 - ↳ Turn the thermostat knob(s) anticlockwise to decrease the digestion temperature or even deactivate the corresponding heating chamber ('OFF' position)
- The signal lamp 'Heating indicator' will light up every time heat is generated in the corresponding heating chamber

6.1.4 SpeedDigester K-436 – rear side





6.2 Preparing of SpeedDigester, suction module(s) and sample tubes

Section 6.2.1 and 6.2.2 describes the standard procedure for preparing a rack with sample tubes of 300ml or 250ml. When 500ml tubes are being used, additionally refer to section 6.2.4.

Note

A rack may achieve a weight of up to 7.5kg when loaded with samples and equipped with a suction module. Be prepared for the weight when lifting a rack!

	<p>WARNING</p> <p>Serious chemical burns by corrosives and peroxides.</p> <ul style="list-style-type: none"> • Observe supplementary data sheets of all used chemicals • Handle corrosives and other chemicals in well ventilated environments only • Always wear protective goggles • Always wear protective gloves • Always wear protective clothes • Do not use damaged glassware • Use only glassware from qualified vendors (see 2.5.4)
--	--

	<p>! WARNING</p> <p>Death or serious poisoning by contact or incorporation of harmful substances at use.</p> <ul style="list-style-type: none"> • Before operation, check the instrument for correct assembling • Close unused suction module positions with glass caps • Rinse suction modules, hoses and connectors before use • Before operation inspect sealings and tubes for good condition and tightness • Exchange worn out or defective parts immediately • Only operate the instrument in a fume hood • Directly withdraw released gases and gaseous substances by a Scrubber or a water jet pump • Dispose of condensate in tubings and glassware safely after use
	<p>! CAUTION</p> <p>Risk of minor or moderate cuts when handling damaged glass parts.</p> <ul style="list-style-type: none"> • Handle glass parts with care • Do not heat up empty sample tubes in the device • Visually inspect every glass part before mounting • Exchange damaged glass parts immediately • Do not touch cracks or bits of broken glass with bare hands

6.2.1 Kjeldahl digestion – preparing sample tubes

During the preparation process, handling with strong acid and other dangerous substances is inevitable. Thus, all steps must be performed under safe laboratory conditions!

Prerequisites

- All sample tubes must be clean and free of damages.
- To achieve a reliable and reproducible digestion result the quality of sample material and additives (e.g. acid and catalyst) must be free of impurities and of adequate amount.

Filling of a sample tube

- Take the sample tubes sequentially and weigh in sample material.
Add catalyst to the samples (e.g. Kjeldahl tablets, order no. 028765).
- **Carefully(!)** add sulfuric acid ($\approx 98\%$) of sufficient amount to the samples.


➔ The sample tubes can now be installed in a rack.

Note

- *Note down the sample weight and position to keep the probe processing and its analysis reproducible. All racks are marked on top with a "1" for the first sample position.*
- *The rack(s) can be used as a temporary storage for empty tubes during the preparation process.*
- When adding the sulfuric acid, rotate the tube to wash down any sticky sample material to the bottom and to coat the inside of the tube.

6.2.2 Peroxide digestion – preparing sample tubes

During the preparation process, handling with peroxides and other dangerous substances is inevitable. Peroxides are strong oxidants and can form explosives! All steps must be performed under safe laboratory conditions.

	<p>! WARNING</p>
	<p>Death or serious injuries by toxic and explosive peroxides.</p> <ul style="list-style-type: none"> • Use only damage free sample tubes • Exchange worn out or defective parts immediately • Handle peroxides in a fume hood • Do not bring peroxides into contact with highly combustible material

Prerequisites

- All sample tubes must be clean and free of damages.
- To achieve a reliable and reproducible digestion result the quality of sample material and the peroxide must be free of impurities and of adequate amount.

Filling of a sample tube

- Take the sample tubes sequentially and weigh in sample material.
 - Carefully(!) add diluted sulfuric acid (e.g. 69%) of sufficient amount to the samples.
 - Carefully(!) add peroxide (e.g. H₂O₂ 30%) of sufficient amount to the samples.
- ➔ The sample tubes can now be installed in a rack.

Note

- Note down the sample weight and position to keep the probe processing and its analysis reproducible. All racks are marked on top with a "1" for the first sample position.
- The rack(s) can be used as a temporary storage for empty tubes during the preparation process.
- When adding the sulfuric acid and peroxide, rotate the tube to wash down any sticky sample material to the bottom and to coat the inside of the tube.

6.2.3 Installing a suction module and sample tubes (300 ml)

To withdraw hazardous fumes and vapors a suction module must be installed.

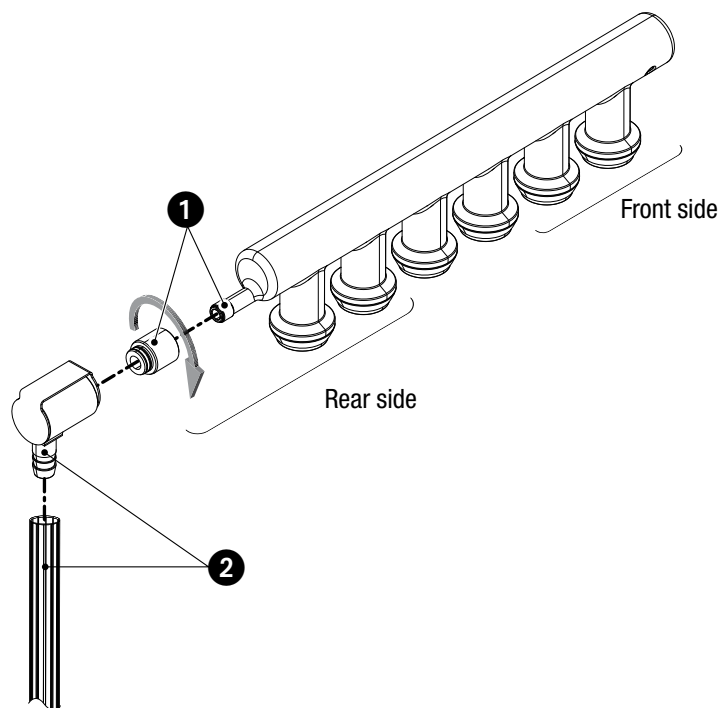
Prerequisites:

All hoses and connectors must be unclogged.

Installation steps:

For installation and handling all parts must be < 40 °C!

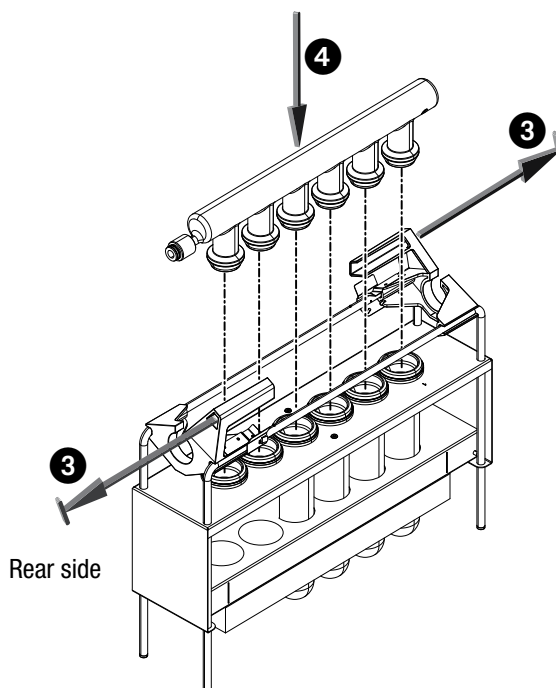
- Install the plastic adapter piece to the suction module ❶.
- Mount the hose connector at the EPDM hose ❷ of the suction module (i.e. Scrubber B-414 or water jet pump).
- The connector at the EPDM hose can be stored temporarily at the magnetic bracket at the rear side of the SpeedDigester.



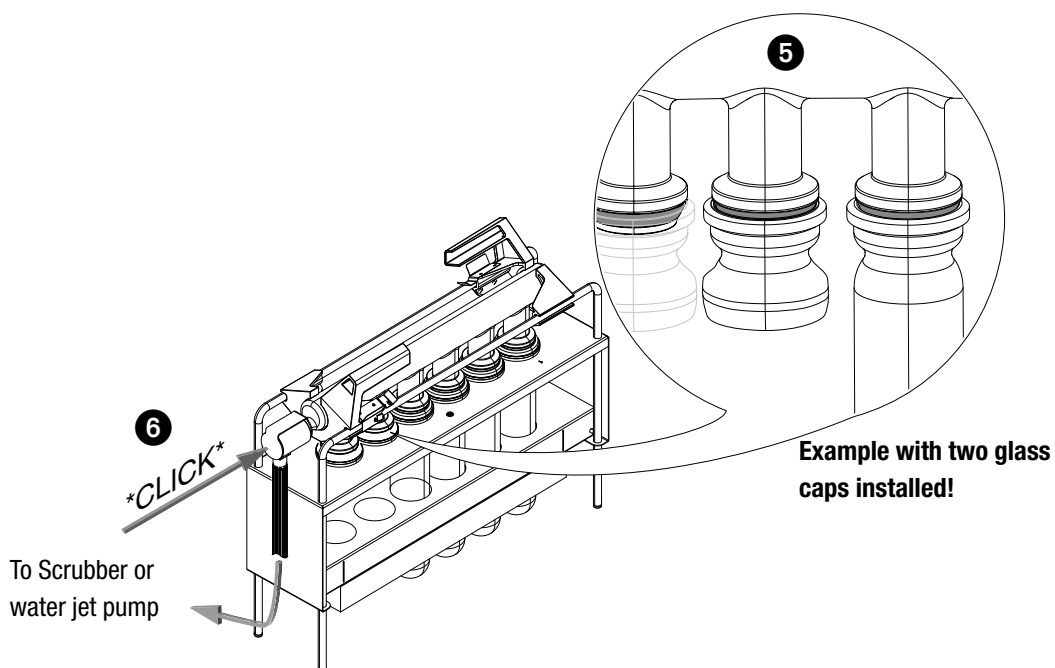
- Insert the prepared sample tubes into the rack(s) — start with the first (front) position.
- When the digestion session does not require a full set of samples, then fit unused positions with a glass cap to seal the suction circuit!

Note

- *Make sure the adapter piece is tightened well without damaging the glassware.*
- *Keep suction hose(s) as short as possible under the given circumstances.*
- *Unused positions should be arranged at the rear end of the rack.*



- Lift the metal clips to unlock and shift the black handles **3** aside.
- Carefully push down the suction module **4** straight onto the sample tubes and shift the handles back into locking position.
 - ↳ The metal clips must snap in to securely lock the handles position!



- Check for proper and tight seating of each rubber sealing ⑤.
 - ↳ If necessary unlock the handles again and readjust the suction module!
 - Plug the suction hose with plug onto the suction module ⑥.
 - ↳ The plug catches with a noticeable *click* sound.
 - If applicable, follow the previous steps to install a suction module on a second rack.
 - Switch on the Scrubber or water jet pump and activate the fume hood ventilation.
- ➔ The rack(s) can now safely be processed in the SpeedDigester.

Note

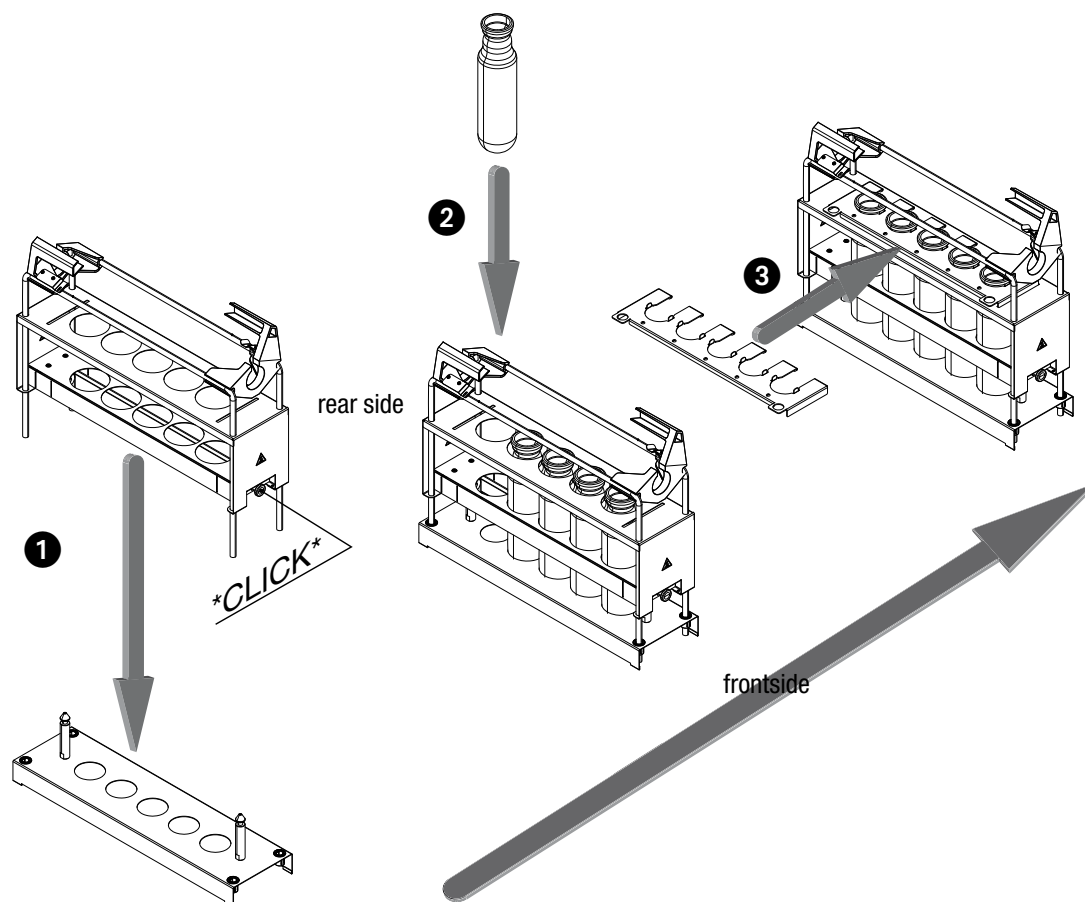
- Clean all glass parts before mounting to avoid cross contamination.
- When a water jet pump is used, hazardous vapours can escape into the environmental air if the suction is inadequate.
- If a Scrubber without condensation step is used, the condensate that accrues must be absorbed by means of a Woulff bottle between the SpeedDigester K-425/K-436 and the Scrubber.
- When operating with 3rd party sample tubes no insulation caps and glass caps are available. In this case, all positions must be equipped with samples!

6.2.4 Installing 500 ml sample tubes




Unlike 300 ml (and 250 ml) sample tubes, 500 ml tubes can not simply be inserted into the appropriate rack. The information in this section serves to set up this type of sample tube properly and safely in the rack.

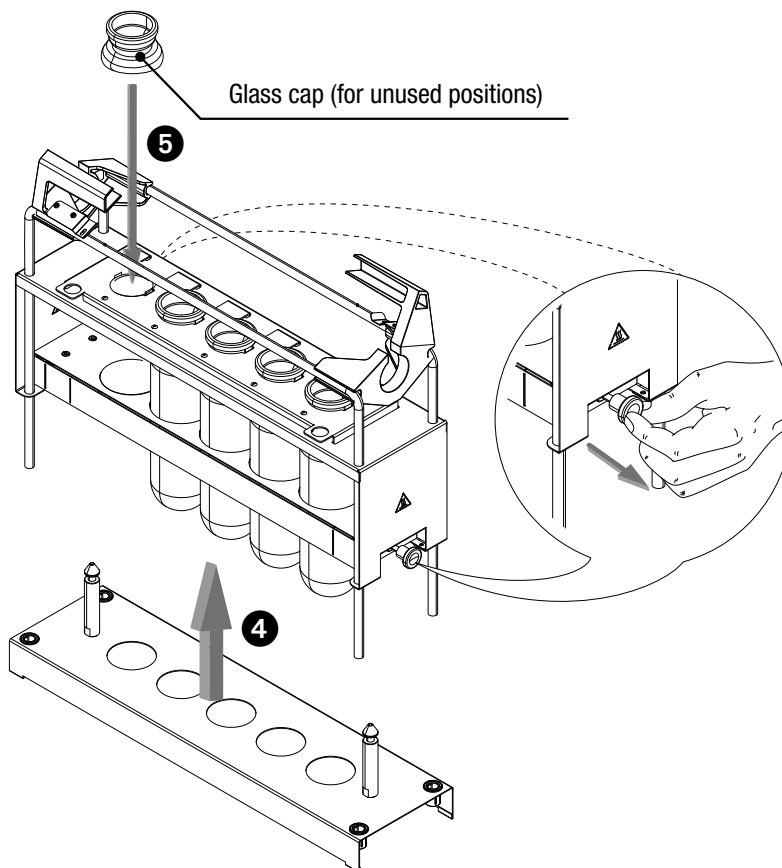
Installation steps:

For installation and handling all parts must be < 40 °C!



- Plug the rack into the carrier **1**.
 - ↳ Two audible *click* sounds will appear as soon as the rack is securely locked at the carrier!
 - ↳ Check the locking by lifting the rack together with the carrier (carrier must follow the rack)
- Insert the prepared sample tubes into the rack(s) **2** — start with the first (front) position.
- Install the rake **3** to interlock the sample tubes at their head side. Check for secure interlocking!
- To separate the rack from the carrier, pull the unlock buttons **4** on both sides of the rack and lift it off the carrier.

	WARNING
	<p>Risk of death or serious chemical burns by acids or peroxides when rack tilts.</p> <ul style="list-style-type: none"> • Do not use faulty parts • Install the rack on an even and stable surface • Support the rack at the handlebars when installing the rake • Check for proper seating and safe position of the glassware before lifting the rack from the carrier
	



- When the digestion session does not require a full set of samples equip unused positions with a glass cap to tighten the suction circuit 5.
 - Follow the installation steps in section 6.2.3 to install the suction module.
 - If applicable, follow the previous steps to install sample tubes in a second rack.
- ➔ The sample tubes are now securely installed in the rack(s) and can now safely be processed in the SpeedDigester.

Note

- Unused positions should be arranged at the rear end of the rack.
- Close unused positions with a glass cap towards the suction unit.

6.2.5 Starting up the SpeedDigester

System preconditions

The system must be correctly installed and fully functional. All parts must be in proper condition (e.g. clean and free of damage). See also section 2.5 "Product safety" for general warnings!

Start-up procedure

- Select and install insulation plate(s) according to the type of sample tubes.
- Install insulation caps at unused positions of the insulation plate(s) for 300 / 500 ml racks.
- Make sure the SpeedDigester K-425/K-436 is properly connected to the mains supply.
- Start the ventilation of the fume hood.
- Switch on the SpeedDigester K-425/K-436 at the mains switch at the front.
- The heating level can now be set via the corresponding thermostat knob.

Note

For operation with 3rd party sample tubes no insulation caps and glass caps are available. Hence, all positions must be equipped with samples!

6.3 Performing a Kjeldahl digestion process

This section is divided into two consecutive sub-sections (6.3.1 and 6.3.2) and follow-up actions in section 6.5. Do not skip or mix up these steps to ensure safe handling and best performance.

Note

Application notes are available for various samples at Buchi. These notes work as digestion recipes and give detailed instructions how to process specific sample materials. For application notes, contact your Buchi application specialist or your local distributor.

6.3.1 Preparational steps

1. Start-up the SpeedDigester.
2. Set the required preheating temperature and let the system heat up 10-15 minutes minimum.
3. Prepare the sample tubes according to the type of digestion under safe conditions.

➔ The samples are now ready to be digested.

6.3.2 Starting a digestion process

4. Install the rack(s) according to the chosen sample tube size.
 - ↳ Place glass caps (order no. 040049) into every unused position of the rack
 - ↳ Place insulation caps into every unused position at the insulation plate
 - ↳ To securely withdraw harmful fumes, switch on the suction unit (Scrubber or water jet pump) **before** inserting the racks into the instrument!
5. The digestion process starts, as soon as the sample tubes heat up in the instrument.
 - ↳ Depending on the sample material and acid/catalyst composition it might be necessary to vary the digestion temperature at different time intervals (digestion program).
6. At the end of the digestion switch off the instrument via the mains switch.

➔ The samples are now digested. Follow-up actions are described in section 6.5.

6.4 Performing a peroxide digestion process

This section is divided into two consecutive sub-sections (6.4.1 and 6.4.2) and follow-up actions in section 6.5. Do not skip or mix up these steps to ensure safe handling and best performance.

Note

Application notes are available for various samples at Buchi. These notes work as digestion recipes and give detailed instructions how to process specific sample materials. For application notes, contact your Buchi application specialist or your local distributor.

6.4.1 Preparational steps

1. Start-up the SpeedDigester.
2. Set the required preheating temperature and let the system heat up 10-15 minutes minimum.
3. Prepare the sample tubes according to the type of digestion under safe conditions.

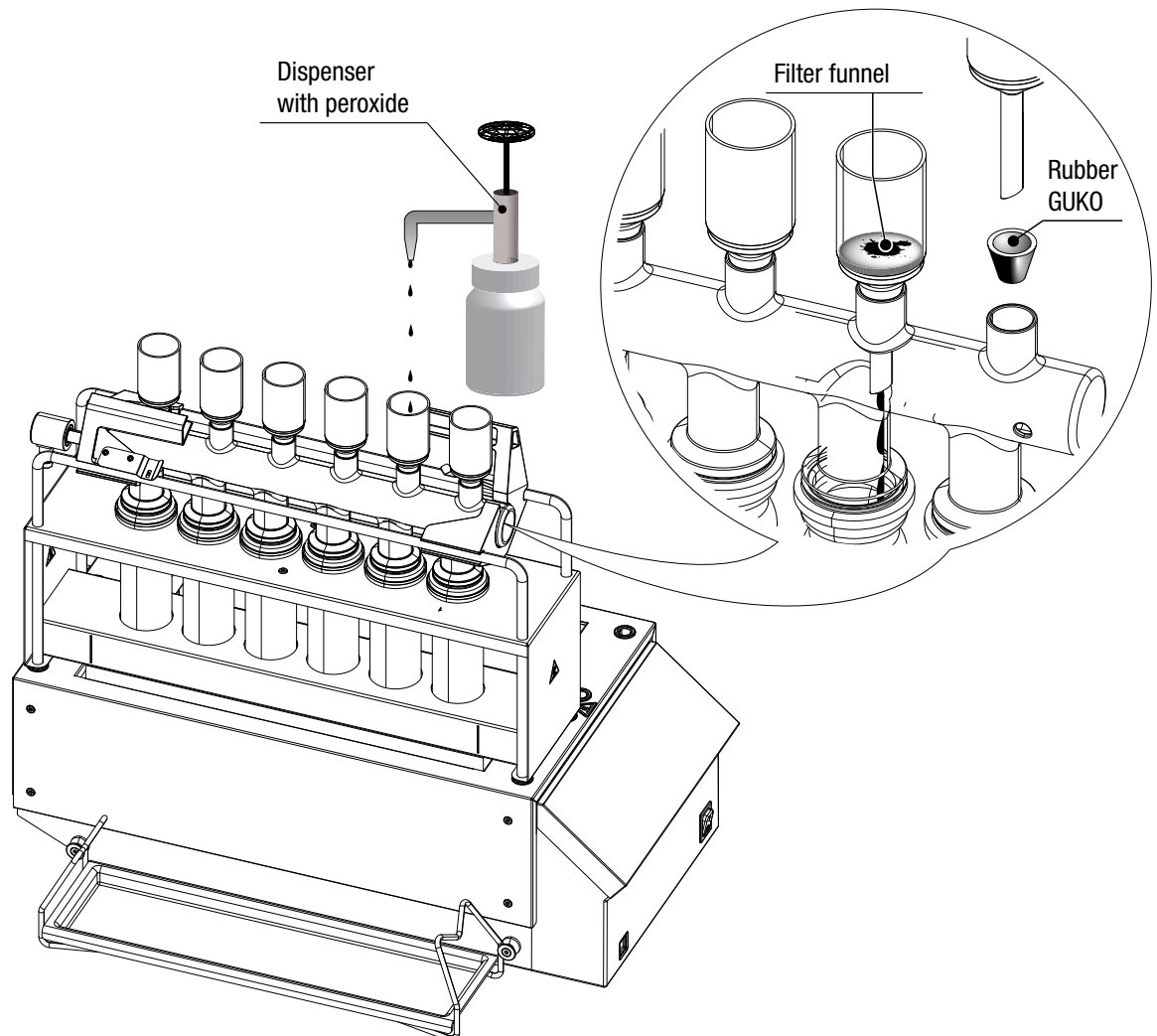
➔ The samples are now ready to be digested.

6.4.2 Starting a digestion process

4. Install the rack(s) according to section 6.2.3. For peroxide digestion a 'Suction module H₂O₂' with funnels must be installed!
 - ➔ Place glass caps (order no. 040049) into every unused position of the rack
 - ➔ Place insulation caps into every unused position at the insulation plate
 - ➔ To securely withdraw harmful fumes, switch on the suction unit (Scrubber or water jet pump) before inserting the racks into the instrument!
5. The digestion process starts, as soon as the sample tubes heat up in the instrument.
 - ➔ Depending on the sample material and acid/peroxide composition it might be necessary to vary the digestion temperature at different time intervals (digestion program).
 - ➔ During the digestion process it is necessary to add peroxide. Carefully and slowly(!) add peroxide into every sample probe via the funnel of the suction module (see following illustration).
6. At the end of the digestion switch off the instrument via the mains switch.




➔ The samples are now digested. Follow-up actions are described in section 6.5.

	<p>! DANGER</p>
	<p>Risk of death or serious injuries by toxic and explosive peroxides.</p> <ul style="list-style-type: none"> • Use only original glassware and funnels • Do not use damaged filter funnels • Only add peroxides directly into the hot sample via filter funnel • Exchange worn out or defective parts before digestion • Handle peroxides in a fume hood • Do not bring peroxides into contact with highly combustible material



The funnels are placed decentralized (shifted out of the middle) above the sample tubes to prevent peroxide dripping directly into the hot sample. The filter funnel ensures that the peroxide can not flush into the hot sample to avoid dangerous deflagration of the peroxide and the sample.






6.5 Finishing a digestion process

 	 WARNING
	<p>Risk of dangerous or moderate burns when handling hot parts and sample tubes.</p> <ul style="list-style-type: none"> • Do not touch any hot parts • Let the system cool down • Cover unused positions with insulation cap(s) at the insulation plate(s)

After the digestion process has been completed, the sample tubes must cool down! See following illustration of cooling positions.

Metal surfaces of the rack and the SpeedDigester might be hot!

- ↳ Let the rack cool down inside the heating chamber (can take more than 60 minutes!) **or**
- ↳ (for racks with 300 ml/250 ml tubes only) use the black handles at the rack to put one or more racks into a side position of the SpeedDigester **or**
- ↳ use the black handles at the rack to safely position a single rack in the cooling chamber of the SpeedDigester K-425 (rack cools down significantly faster than inside the heating chamber).
 - Let the rack(s) cool down below 40 °C first, then switch off the Scrubber or water jet pump.
 - Carefully remove the suction module(s) to avoid acid drops.
 - ↳ The suction modules should be safely stored e.g on a "Stand with drip tray" (order no. 11055216) to safely collect remaining acid condensate. **or**
 - ↳ Unplug the suction hose connector(s) from the suction module and lift off the complete rack(s) including the suction module(s)
- To take the sample tubes off its rack, proceed section 6.2.3 and 6.2.4 (for 500 ml sample tubes only) in reverse order.

   	 Caution
	<p>Risk of moderate chemical burns by splashing acid or peroxide drops.</p> <ul style="list-style-type: none"> • Carefully unplug the suction hose connectors • Wipe off any liquid drops from the suction hose connectors • Carefully store the magnetic suction hose connectors on top of the bracket at the device rear side • Avoid fast snapping of the magnetic catch • Wear safety goggles • Wear safety gloves

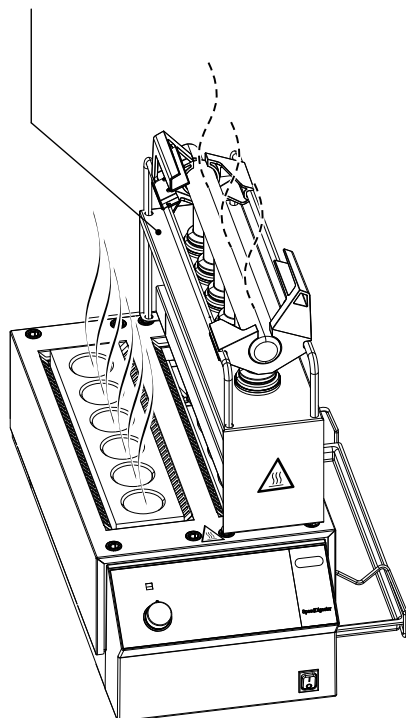
➔ The digestion output can now be processed (e.g. by a Kjeldahl distillation system).

Cooling positions of SpeedDigester K-425 and K-436

The side position shown in the drawing below is only applicable for 300 ml and 250 ml sample tubes and racks. Due to the larger diameter of 500 ml sample tubes the glassware does not fit between rack and housing. Racks with 500 ml sample tubes must not be installed in this position (see illustration)!

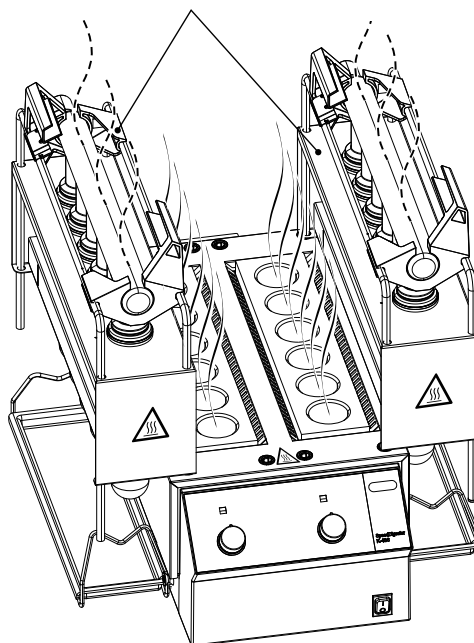
K-425

Rack in cooling chamber
(applicable for all available rack / tube types)



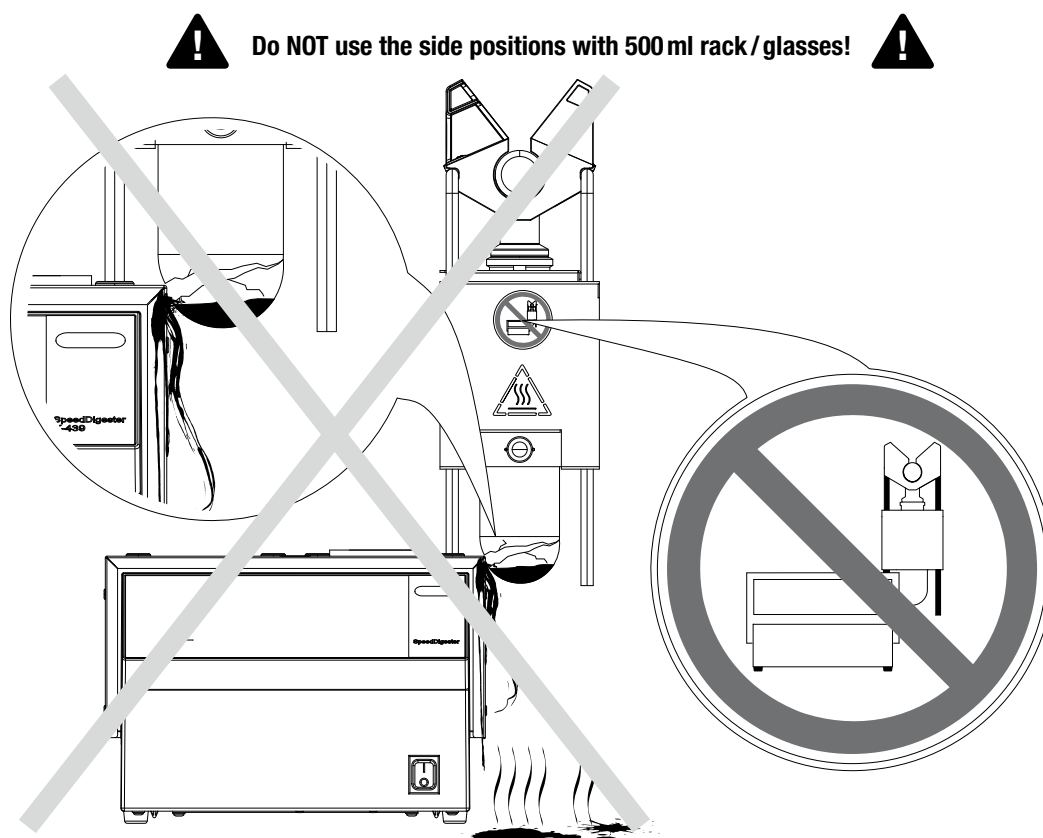
K-436

Side position **ONLY 300/250 ml racks**







Note

- A color change takes place during the cooling. At this time, the sample is still too hot to proceed!
- Digested samples which are left undistilled over a long period tend to solidify.
If this happens:
 - Carefully add a small quantity of distilled water
 - Alternatively: Slightly warm up the sample in the SpeedDigester again

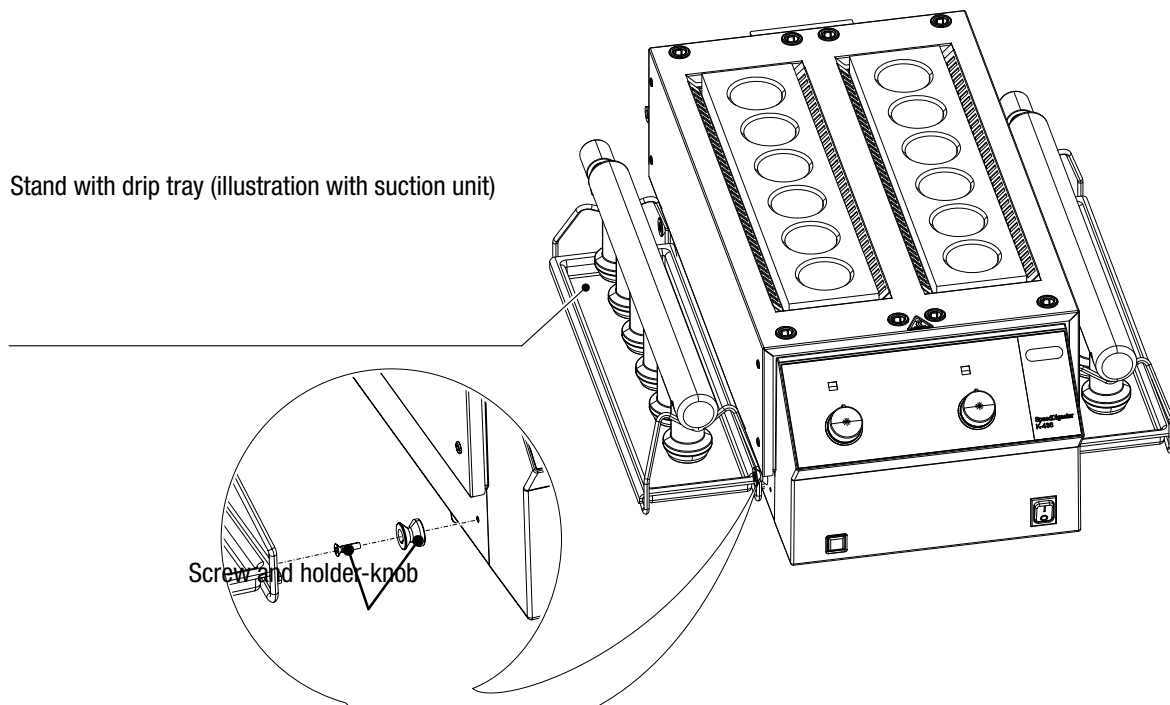


500ml racks must be placed beside the SpeedDigester K-436 to avoid a crash between the sample tubes and the housing. Nonobservance will lead to hazardous situations especially when the sample tubes are filled and hot!

! WARNING	
   	<p>Death or serious injuries at glass breakage by hot acid and catalyst or peroxide.</p> <ul style="list-style-type: none"> • Do not place racks with 500 ml sample tubes into side position • Place racks onto a stable horizontal surface inside a fume hood for cooling

6.6 Optional 'Stand with drip tray'

The optional accessory drip tray serves to collect condensated acid which might drip off the suction module(s) after a digestion process and as a space saving way to securely store a suction module.



Installing a drip tray

1. Screw the two holder-knobs into the designated threads at the side of your SpeedDigester.
2. Hook-in the frame of the drip tray.




➔ The tray is now ready to use.


7 Maintenance and repairs

This chapter gives instructions on maintenance work to be performed in order to keep the instrument in a good and safe working condition. All maintenance and repair work requiring the opening or removal of the instrument housing must be carried out by trained service personnel and only with the tools provided for this purpose.

Note

Use only genuine consumables and spare parts for any maintenance and repair work in order to assure warranty and continued system performance. Any modifications of the SpeedDigester K-425/K-436 or parts of it need prior written permission of the manufacturer.

	<p>! WARNING</p> <p>Serious chemical burns by corrosives.</p> <ul style="list-style-type: none"> • Observe supplementary data sheets of all used chemicals • Handle corrosives in well ventilated environments only • Always wear protective goggles • Always wear protective gloves • Always wear protective clothes • Do not use damaged glassware
	<p>! WARNING</p> <p>Death or serious burns by electric current.</p> <ul style="list-style-type: none"> • Switch off the instrument, disconnect the power cord and prevent unintentional restart before touching the heating elements • Do not spill liquids over the device
	<p>! CAUTION</p> <p>Risk of minor or moderate cuts when handling damaged glass parts.</p> <ul style="list-style-type: none"> • Handle glass parts with care • Visually inspect every glass part for good condition before mounting • Exchange damaged glass parts immediately • Do not touch cracks or bits of broken glass with bare hands

	NOTICE
	<p>Risk of housing and instrument damage by liquids and detergents.</p> <ul style="list-style-type: none"> • Do not spill liquids over the instrument or parts of it • Wipe off any liquids instantly • Use ethanol or soapy water as detergent only

7.1 Customer service

Only authorized service personnel are allowed to perform repair work on the instrument. Authorization requires a comprehensive technical training and knowledge of possible dangers which might arise when working at the instrument. Such training and knowledge can only be provided by Buchi.

Addresses of official Buchi customer service offices are given on the Buchi website under: www.buchi.com. If malfunctions occur on your instrument or you have technical questions or application problems, contact one of these offices.

The customer service offers the following:



- Spare part delivery
- Repairs
- Technical advice

7.2 General condition and cleaning instructions

Check the housing for visible defects (switches, plugs, enclosure etc.) and clean it regularly under safe conditions with a damp cloth.

Cleaning under safe conditions

- Switch off the SpeedDigester and unplug the power cord.
 - ➔ **Let the system cool down completely!**
- Check all sealings and tubes for good condition (e.g. signs of mechanical stress and or brittleness) and proper sealing. Exchange defective parts!
- Clean all sealings with distilled water.
- Disconnect all tubings/connectors and rinse them thoroughly with water.

 	WARNING
	<p>Death or serious burns by electric current at cleaning.</p> <ul style="list-style-type: none"> • Switch off the instrument • Disconnect the power cord and prevent unintentional restart • Wait until the instrument is completely dry before reconnecting to mains

All parts must be completely dried before the system can be connected to mains again!

7.2.1 Breakage of glassware inside a housing chamber

Under rare conditions charged sample tubes or other glassware might break inside a housing chamber. In such a case strictly follow the cleaning instructions below!

Cleaning under safe conditions



- Switch off the SpeedDigester and unplug the power cord.
- ➔ **Let the system cool down completely!**
- Carefully remove the installed rack(s).
- Wear safety gloves to dispose of the defective glassware of the rack.
- Use a long forceps to remove residual bits of glass off the housing chamber(s).
- Use a long forceps to dab residual liquid and other components off the chamber(s).
- Wear cut- and acid-safe gloves to wipe out the chamber(s) with wet damp cloth.
- Check the surface below the instrument and clean if necessary.

Wait for the system to completely dry before reconnecting the device to mains!

7.2.2 Liquid ingress into the instrument

In case of liquid ingress into the housing the instrument is not safe to use anymore. Follow the instructions below to safely bring the instrument into operable condition again.

- Switch off the SpeedDigester and unplug the power cord.
- Use a long forceps to dab liquid off the outer housing parts. Wear safety gloves!
- Carefully remove rack(s) if installed.
- ➔ **Let the system cool down completely!**
- Use a long forceps to dab residual liquid off the chamber(s).
- Wear cut- and acid-safe gloves to wipe out the chamber(s) with dry cloth.
- Use a long forceps to clean the chamber(s) with a wet damp cloth.
- ➔ **Call service! Do not reconnect the system to mains!**

 	⚠ WARNING
	<p>Death or serious burns by electric current.</p> <ul style="list-style-type: none"> • Switch off the instrument • Disconnect the power cord and prevent unintentional restart

All parts must be completely dried before the system can be checked by a service technician!
An electrical safety test and a functional test must be performed before the system can be used again.

7.3 Glass component conditions

Clean the glass components after each working process to prolong their lifetime. The glass assemblies can be taken out and cleaned manually with water and a commercial cleaning agent (e.g. mild soap solution) or in an ultrasonic bath. Visibly check for damages at all the glass components subsequently.

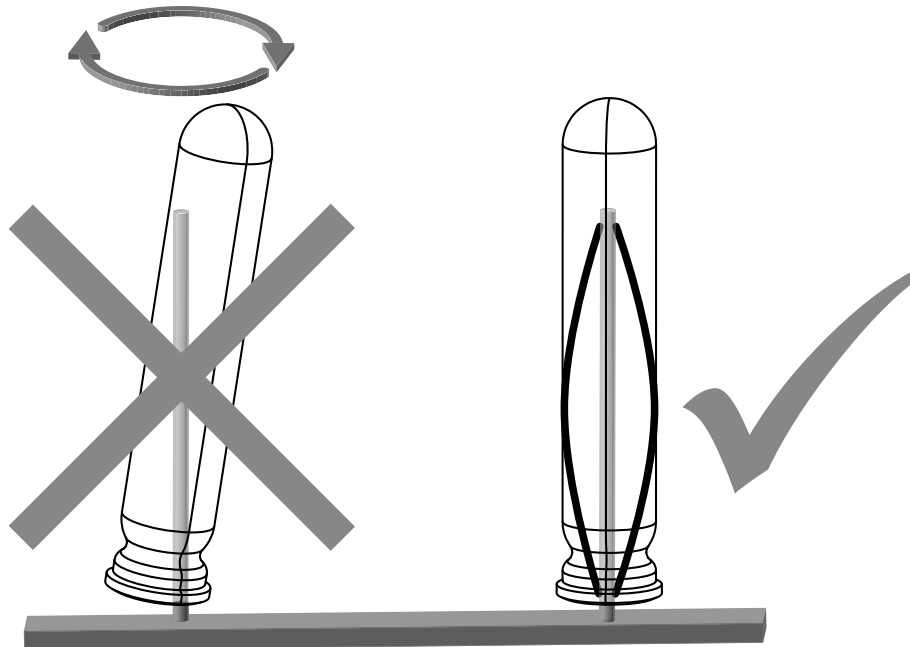
Note

- *It is recommended to clean all glass components in use.*
- *Regularly check the glassware components for damage and use only glassware in perfect condition, i.e. glassware without cracks or stars.*

7.3.1 Sample tubes


Do not use cold water to cool down the sample tubes after digestion. The resulting temperature shock might lead to tension and cracks in the glass.

Make sure that the sample tubes are placed as illustrated in the laboratory washing instrument (see drawing). Thus the tubes will not be damaged during washing.



7.4 Sealing system

Regularly clean and inspect the sealings for possible damage as described in section 7.2. The sealings are expendable items and must be replaced if they are damaged or no longer seal properly.

NOTICE	
	<p>Risk of sealing damage by lubricants or sharp objects.</p> <ul style="list-style-type: none"> • Do not lubricate sealings • Do not bring sealings in contact with sharp objects • Use ethanol or soapy water as detergent only

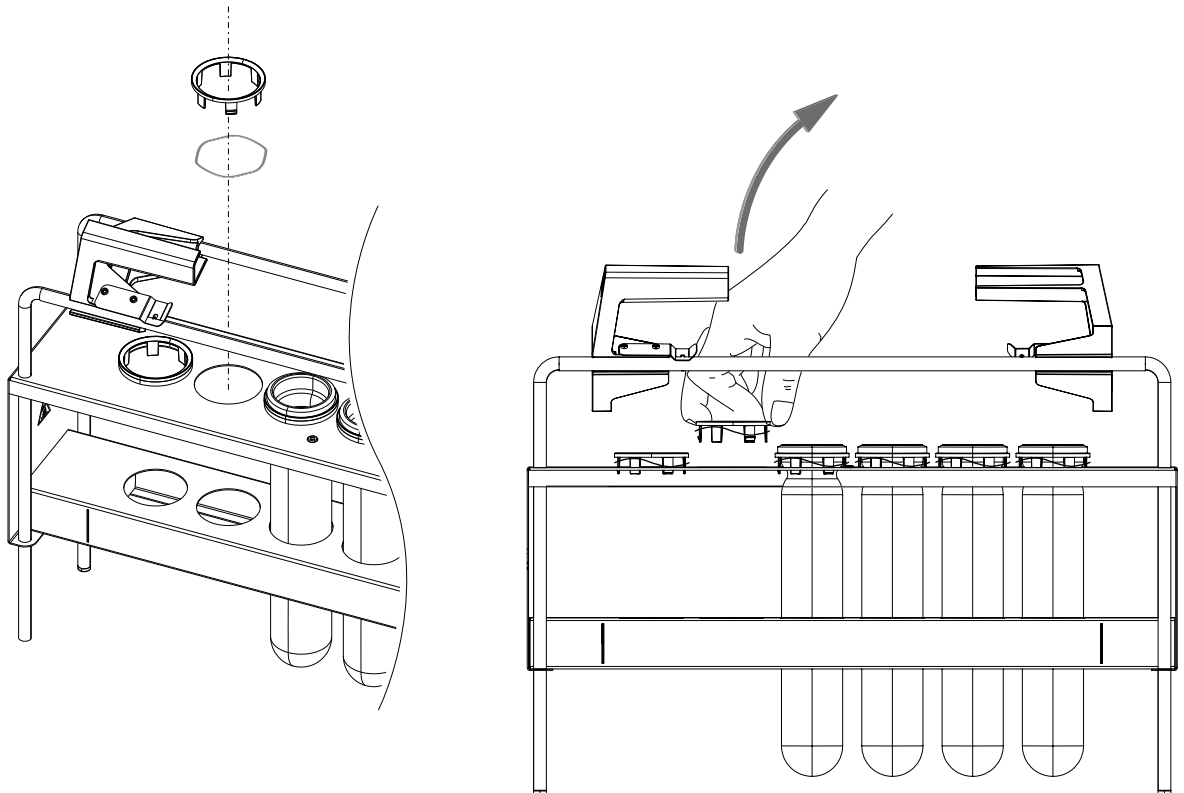
To prolong the lifetime of the seals, rinse them routinely with water and always when there has been the possibility of unwanted sample contamination (foaming or boiling retardation). Afterwards dry the cleaned seals with a soft cloth.

7.5 Rack system

To prolong the lifetime of the racks, rinse them with water thoroughly to remove possible acid residues. Subsequently, clean the racks with non-abrasive cleaning agents (e.g. soapy water).

7.5.1 300ml sample tube support spring

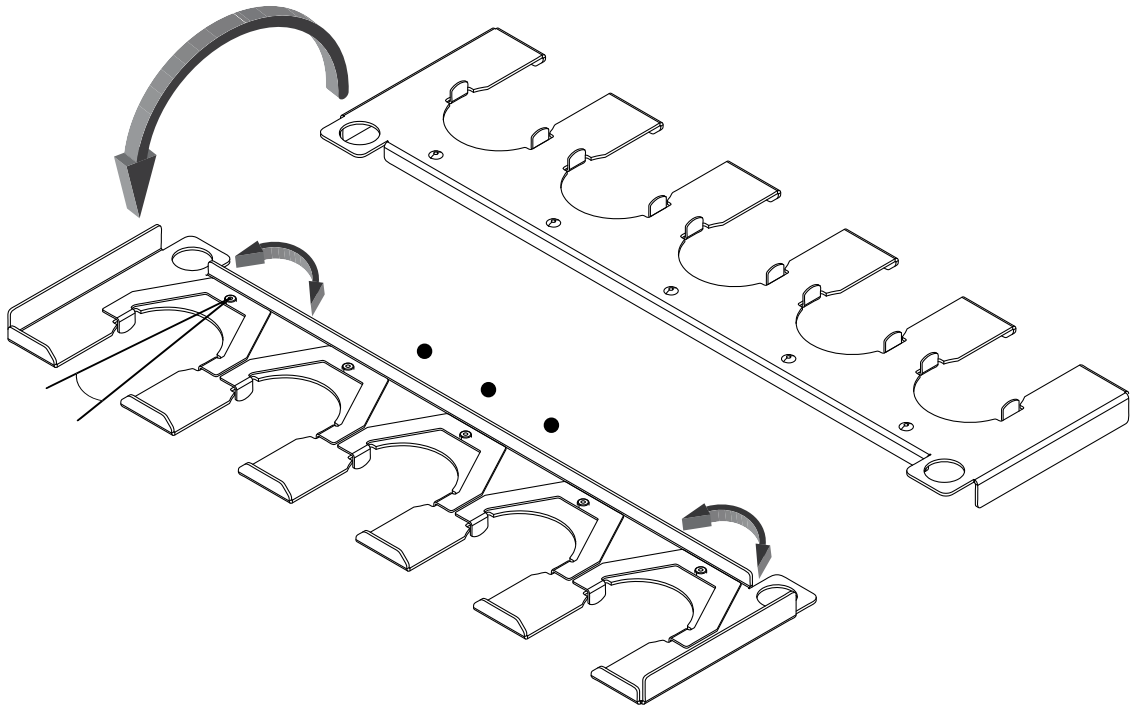
The 300ml tube rack is equipped with six sample tube support assemblies. Each assembly includes a circular spring and a black plastic retaining ring with notches. Three of six notches are equipped with small brackets – to release the spring gently squeeze the retaining ring and lift it off the rack. For installation simply push the ring and spring assembly in.



Note

- *Keep the springs clean to avoid corrosion.*
- *Regularly check the spring force for signs of wearing. Inserted glasses must not squeeze the spring assembly significantly.*
- *Exchange 'Set circular spring and holder' (order no. 11055984) in case of leakages between sample tube and suction module.*

7.5.2 500 ml sample tube support spring



The 500 ml tube rack is equipped with a tube holder containing five sample tube support springs. Each flat spring must be freely rotatable by a small amount. If swivelling is not possible, exchange the rake!

Note

- *Rinse the tube holder with water after use to avoid corrosion.*
- *Store it dry and clean after use.*

7.6 Protection cover at the front

The protection cover at the front is equipped with double-faced adhesive tape. If it is strongly contaminated or damaged, replace it with a new one.

8 Troubleshooting

This chapter helps to resume operation after a problem has occurred with the instrument which does not require special technical training. It lists possible occurrences, their probable cause and suggests how to remedy the problem.

The troubleshooting table below lists possible malfunctions and errors of the instrument. The operator is enabled to correct some of those problems or errors by him/herself. For this, appropriate corrective measures are listed in the column "Remedy".

8.1 Malfunctions and their remedy



Malfunctions and their remedy		
Malfunction	Possible cause	Remedy
System does not heat	No voltage	Insert mains plug, examine plug for damage, check power switch
	Mains switch is turned off	Switch must light up green, when system is powered up
	Thermostat(s) is set to 'OFF' position	Choose a heating level between 1 – 10
	Thermostat(s) is defective	Contact Buchi customer service to replace defective component(s)
	Fuse has been activated	Exchange fuse(s), see section 8.2
	Heating elements are defective	Contact Buchi customer service to replace defective component(s)
Heating indicator LED does not light up at active heating	Heating elements are overheated– overtemperature safety switch is activated	Contact Buchi customer service for repair of defective component(s)
	LED is defective	Contact Buchi customer service to replace defective component(s)
Fumes are escaping from the SpeedDigester or its assemblies into the fume hood	<ul style="list-style-type: none"> • Scrubber or water jet pump not switched on or functioning correctly • Defective or clogged sealing, glassware or tubes 	<ul style="list-style-type: none"> • Stop the digestion process • Check and clean all parts • See manuals of the Scrubber /water jet pump on how to increase suction power

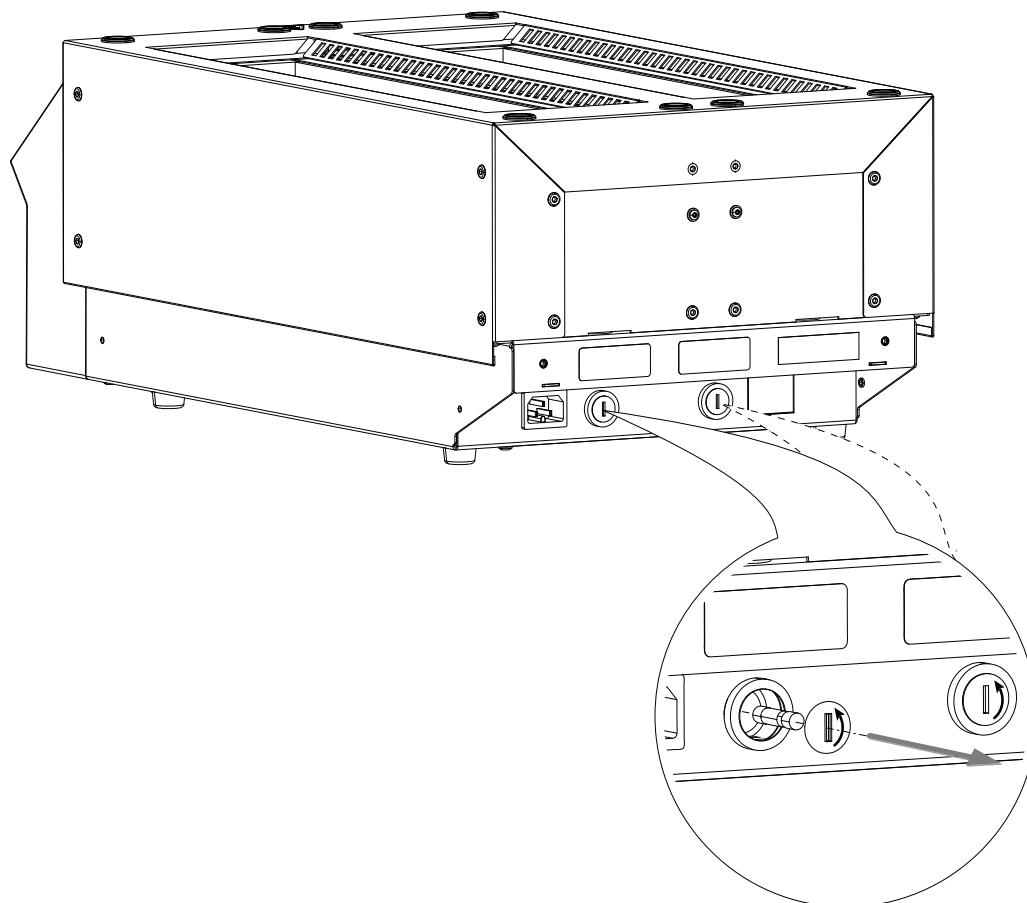
Malfunctions or errors which are not listed in the table are to be corrected by a Buchi trained technical engineer who has access to the official service manuals. In this case, please refer to your local Buchi customer service agent.

8.2 Device fuses

To change a defective fuse proceed as follows

- Switch off the SpeedDigester and unplug the power cord.
- To access the glass fuses on the rear side use a flat screwdriver blade.
 - ↳ Turn it approx. 5 turns anticlockwise to free the insert.
 - ↳ Take out the insert together with the fuse.
- Replace the defective fuse (see technical data for fuse type!)
- Reconnect the SpeedDigester to the mains.

	<p>WARNING</p>
	<p>Death or serious burns by electric current.</p> <ul style="list-style-type: none"> • Switch off the instrument • Disconnect the power cord and prevent unintentional restart before removing the fuse holder • Do not touch the fuse or the fuse holder with wet hands • Exchange defective fuses only with the original type





Note

Device fuses may blow occasionally due to voltage peaks under high system load. When fuses burn frequently, inform your customer service!

9 Shutdown, storage, transport and disposal

This chapter instructs how to shut down and to pack the instrument for storage or transport. Specifications for storage and shipping conditions can also be found listed here.

	<p>! WARNING</p> <p>Death or serious poisoning by contact or incorporation of harmful substances.</p> <ul style="list-style-type: none"> • Wear safety goggles • Wear safety gloves • Wear a laboratory coat • Clean the instrument and all accessories thoroughly to remove possibly dangerous substances • Do not clean dusty parts with compressed air • Store the instrument and its accessories at a dry place in its original packaging
	<p>! CAUTION</p> <p>Risk of minor or moderate injury by heavy weight of the instrument with accessories.</p> <ul style="list-style-type: none"> • Consult a second person to transport the instrument set • Do not drop the instrument or its transport box • Place the instrument on a stable, even and vibration-free surface • Keep limbs out of crushing zone

9.1 Storage and transport

Switch off the instrument and remove the power cord. To disassemble the SpeedDigester K-425/K-436 follow the installation instructions in section 5 in reverse order. Remove all liquids and dusty residues before packaging the instrument.

9.2 Disposal

For instrument disposal in an environmentally friendly manner, a list of materials is given in chapter 3.3. This helps to ensure that the components can be separated and recycled correctly by a specialist for disposal.

For disposal of liquids and consumables such as catalyst or acid, see data sheets of these chemicals!

You have to follow valid regional and local laws concerning disposal. For help, please contact your local authorities!





Note

When returning the instrument to the manufacturer for repair work, please copy and complete the health and safety clearance form on the following page and enclose it with the instrument.

9.2.1 Thermostat(s)

The thermostat(s) filler gauge contains an alloy of Potassium and Sodium (NaK). Both materials are pyrophorous at contact with water and can form explosives under certain circumstances. The alloy is also toxic and thus harmful to life forms (see hazardous material classification entry in material list, section 3.3)!

The thermostat(s) must be properly disposed of as hazardous waste as a whole!

   	<p>! WARNING</p> <p>Risk of death or serious injuries and toxication by highly reactive alkali metals.</p> <ul style="list-style-type: none"> • Do not damage the thermostat • Do not expose the thermostat to water • Dispose off the undamaged thermostat safely
--	--

Health and Safety Clearance

Declaration concerning safety, potential hazards and safe disposal of waste.

For the safety and health of our staff, laws and regulations regarding the handling of dangerous goods, occupational health and safety regulations, safety at work laws and regulations regarding safe disposal of waste (e.g. chemical waste, chemical residues or solvents) require that this form must be completed, signed and enclosed to every return shipment of equipment or defective parts.

Instruments or parts will not be accepted if this declaration is not present.

Equipment

Model:

Part/Instrument no.:

1.A Declaration for non dangerous goods

We assure that the returned equipment:

- is unused and new.
- has not been exposed to toxic, corrosive, biologically active, explosive, radioactive or other dangerous matters. No hazard emanates from the device!
- is free of contamination (e.g. that chemicals, solvents or residues of pumped media have been drained prior to shipment). No hazard emanates from the device!



1.B Declaration for dangerous goods

Exhaustive list of dangerous substances the equipment has been exposed to:

Chemical, substance	Danger classification

We assure that:

- all hazardous substances (e.g. toxic, corrosive, biologically active, explosive, radioactive etc.) which have been processed or been in contact with the equipment are listed above.
- the equipment has been cleaned, decontaminated and is free of transmissible agents such as hazardous fungi, bacteria, viruses etc. If sterilization is applicable, all in- and outlets of the equipment have been properly sealed the process.

2. Final Declaration

We hereby declare that:

- we know all about the substances which have been in contact with the equipment and all questions have been answered correctly.
- we have taken all measures to prevent potential risks that might emanate from the delivered equipment.
- this document will be attached clearly visible and securely to the outside of the transport box.

Company name or stamp: _____

Place, date: _____

Name (print), job title (print): _____

Signature: _____

10 Spare parts

This chapter lists spare parts, accessories and options including their ordering information. Only order spare parts and consumables from Buchi to maintain the warranty status and to assure best performance and reliability of the system and affected components. Any modifications to the spare parts used are only allowed with the prior written permission of the manufacturer.

Always state the product designation, instrument serial and part numbers for warranty clearance when ordering spare parts!

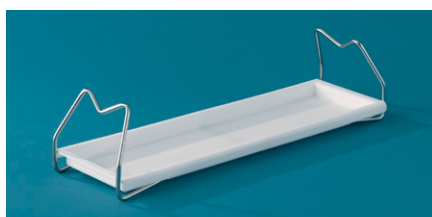
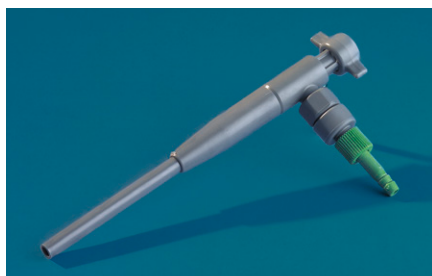
10.1 Spare parts, optional accessories and consumables



Spare parts	
Description	Order no.
Mains cable, CH-type	10021
Mains cable, DE-type	10029
Mains cable, GB-type	17833
Mains cable, US-type	33756
Mains cable, AU-type	17834
Operation Manual, English	11593351
Operation Manual, German	11593352
Operation Manual, French	11593353
Operation Manual, Italian	11593354
Operation Manual, Spanish	11593355
Preheat cover	11055842
Connector to suction module (2 pcs.)	11055367
2× sealing EPDM 12,5 * 8	11055897
O-ring FKM 11 * 2	11055910
Rubber plug	11056016

Spare parts (cont.)

Description	Order no.
EPDM hose, 1.5 m, 8 mm	11056005
Plug for rack pedestal	11055359
Magnetic bracket	11056231

**Optional parts**

Description	Order no.
Scrubber B-414 with condenser, 230V	037882
Scrubber B-414 with condenser, 120V	037883
Scrubber B-414 with condenser, 100V	037884

Condensate bottle 4L for Scrubber B-414	048668
---	--------

Water jet pump	02913
----------------	-------

Stand with drip tray	1105216
----------------------	---------

Digestion rod (set of 10)	043087
---------------------------	--------

Protection cover at the front K-436	11056274
-------------------------------------	----------

Protection cover at the front K-425	11056275
-------------------------------------	----------

**Consumables**

Description	Order no.
Kjeldahl tablets (Hg/Se-free), 250 pcs.	028765

11 Declarations and requirements

11.1 FCC requirements (for USA and Canada)

English:

This equipment has been tested and found to comply with the limits for a Class A digital device, pursuant to both Part 15 of the FCC Rules and the radio interference regulations of the Canadian Department of Communications. These limits are designed to provide reasonable protection against harmful interference when the equipment is operated in a commercial environment.

This equipment generates, uses and can radiate radio frequency energy and, if not installed and used in accordance with the instruction manual, may cause harmful interference to radio communications. Operation of this equipment in a residential area is likely to cause harmful interference in which case the user will be required to correct the interference at his own expense.

Français:

Cet appareil a été testé et s'est avéré conforme aux limites prévues pour les appareils numériques de classe A et à la partie 15 des réglementations FCC ainsi qu'à la réglementation des interférences radio du Canadian Department of Communications. Ces limites sont destinées à fournir une protection adéquate contre les interférences néfastes lorsque l'appareil est utilisé dans un environnement commercial.

Cet appareil génère, utilise et peut irradier une énergie à fréquence radioélectrique, il est en outre susceptible d'engendrer des interférences avec les communications radio, s'il n'est pas installé et utilisé conformément aux instructions du mode d'emploi. L'utilisation de cet appareil dans les zones résidentielles peut causer des interférences néfastes, auquel cas l'exploitant sera amené à prendre les dispositions utiles pour palier aux interférences à ses propres frais.

BUCHI Affiliates:

Europe

Switzerland/Austria

BÜCHI Labortechnik AG
 CH – 9230 Flawil
 T +41 71 394 63 63
 F +41 71 394 65 65
 buchi@buchi.com
 www.buchi.com

Italy

BUCHI Italia s.r.l.
 IT – 20010 Cornaredo (MI)
 T +39 02 824 50 11
 F +39 02 575 12 855
 italia@buchi.com
 www.buchi.it

Benelux

BÜCHI Labortechnik GmbH
 Branch Office Benelux
 NL – 3342 GT Hendrik-Ido-Ambacht
 T +31 78 684 94 29
 F +31 78 684 94 30
 benelux@buchi.com
 www.buchi.be

Russia

BUCHI Russia/CIS
 Russia 127287 Moscow
 T +7 495 36 36 495
 F +7 495 98 10 520
 russia@buchi.com
 www.buchi.ru

France

BUCHI Sarl
 FR – 94656 Rungis Cedex
 T +33 1 56 70 62 50
 F +33 1 46 86 00 31
 france@buchi.com
 www.buchi.fr

United Kingdom

BUCHI UK Ltd.
 GB – Oldham OL9 9QL
 T +44 161 633 1000
 F +44 161 633 1007
 uk@buchi.com
 www.buchi.co.uk

Germany

BÜCHI Labortechnik GmbH
 DE – 45127 Essen
 T +800 414 0 414 0 (Toll Free)
 T +49 201 747 49 0
 F +49 201 747 49 20
 deutschland@buchi.com
 www.buechigmbh.de

Germany

BÜCHI NIR-Online
 DE – 69190 Walldorf
 T +49 6227 73 26 60
 F +49 6227 73 26 70
 nir-online@buchi.com
 www.nir-online.de

America

Brazil

BUCHI Brasil Ltda.
 BR – Valinhos SP 13271-200
 T +55 19 3849 1201
 F +55 19 3849 2907
 brasil@buchi.com
 www.buchi.com

USA/Canada

BUCHI Corporation
 US – New Castle, DE 19720
 T +1 877 692 8244 (Toll Free)
 T +1 302 652 3000
 F +1 302 652 8777
 us-sales@buchi.com
 www.mybuchi.com

Asia

China

BUCHI China
 CN – 200052 Shanghai
 T +86 21 6280 3366
 F +86 21 5230 8821
 china@buchi.com
 www.buchi.com.cn

India

BUCHI India Private Ltd.
 IN – Mumbai 400 055
 T +91 22 667 75400
 F +91 22 667 18986
 india@buchi.com
 www.buchi.in

Indonesia

PT. BUCHI Indonesia
 ID – Tangerang 15321
 T +62 21 537 62 16
 F +62 21 537 62 17
 indonesia@buchi.com
 www.buchi.co.id

Japan

Nihon BUCHI K.K.
 JP – Tokyo 110-0008
 T +81 3 3821 4777
 F +81 3 3821 4555
 nihon@buchi.com
 www.nihon-buchi.jp

Korea

BUCHI Korea Inc.
 KR – Seoul 153-782
 T +82 2 6718 7500
 F +82 2 6718 7599
 korea@buchi.com
 www.buchi.kr

Malaysia

BUCHI Malaysia Sdn. Bhd.
 MY – 47301 Petaling Jaya,
 Selangor
 T +60 3 7832 0310
 F +60 3 7832 0309
 malaysia@buchi.com
 www.buchi.com

Singapore

BUCHI Singapore Pte. Ltd.
 SG – Singapore 609919
 T +65 6565 1175
 F +65 6566 7047
 singapore@buchi.com
 www.buchi.com

Thailand

BUCHI (Thailand) Ltd.
 TH – Bangkok 10600
 T +66 2 862 08 51
 F +66 2 862 08 54
 thailand@buchi.com
 www.buchi.co.th

BUCHI Support Centers:

South East Asia

BUCHI (Thailand) Ltd.
 TH-Bangkok 10600
 T +66 2 862 08 51
 F +66 2 862 08 54
 bacc@buchi.com
 www.buchi.com

Middle East

BÜCHI Labortechnik AG
 UAE – Dubai
 T +971 4 313 2860
 F +971 4 313 2861
 middleeast@buchi.com
 www.buchi.com

Latin America

BUCHI Latinoamérica Ltda.
 BR – Valinhos SP 13271-200
 T +55 19 3849 1201
 F +55 19 3849 2907
 latinoamerica@buchi.com
 www.buchi.com

We are represented by more than 100 distribution partners worldwide.
 Find your local representative at: www.buchi.com